

NOTICE!!

These documents have been scanned!

Do not place un-scanned documents beneath this notice!

Do not remove this notice from this file!

GPO Jacket No. 560-102
Print Order 61540
Rise Business Services, LLC
Job=AZ15 6/24/2019



Box Number= AZ15126



Claim Begin-End: AMC438849-AMC438864

1 Initial Receipt



AZ15126-14

AMC428281-AMC452898

United States Department of the Interior
Bureau of Land Management
 DIV OF LANDS, MINRLS & ENERGY
 ONE N CENTRAL AVE
 PHOENIX, AZ 85004 -4427
 Phone: 602-417-9200

Receipt

No: 3611124

Transaction #: 3714654	
Date of Transaction: 07/21/2016	
CUSTOMER:	
GRAND CANYON GOLD CORP 16772 W BELL RD # 110-417 SURPRISE,AZ 85374-9702 US	

ENTERED
 JUL 27 2016
 BY: 

LINE #	QTY	DESCRIPTION	REMARKS	UNIT PRICE	TOTAL
1	16.00	LOCATABLE MINERALS / MINING CLAIMS-NEW,UNADJUD, ONE OR MORE AUTH NOS / NEW MINING CLAIMS LOCATION FEE CASES: AMC438849/\$37.00, AMC438850/\$37.00, AMC438851/\$37.00, AMC438852/\$37.00, AMC438853/\$37.00, AMC438854/\$37.00, AMC438855/\$37.00, AMC438856/\$37.00, AMC438857/\$37.00, AMC438858/\$37.00, AMC438859/\$37.00, AMC438860/\$37.00, AMC438861/\$37.00, AMC438862/\$37.00, AMC438863/\$37.00, AMC438864/\$37.00		- n/a -	592.00
2	16.00	LOCATABLE MINERALS / MINING CLAIMS-NEW,UNADJUD, ONE OR MORE AUTH NOS / NEW MINING CLAIM PROCESSING FEE CASES: AMC438849/\$20.00, AMC438850/\$20.00, AMC438851/\$20.00, AMC438852/\$20.00, AMC438853/\$20.00, AMC438854/\$20.00, AMC438855/\$20.00, AMC438856/\$20.00, AMC438857/\$20.00, AMC438858/\$20.00, AMC438859/\$20.00, AMC438860/\$20.00, AMC438861/\$20.00, AMC438862/\$20.00, AMC438863/\$20.00, AMC438864/\$20.00		- n/a -	320.00
3	16.00	LOCATABLE MINERALS / MINING CLAIMS-NEW,UNADJUD, ONE OR MORE AUTH NOS / NEW MINING CLAIMS MAINTENANCE FEE CASES: AMC438849/\$155.00, AMC438850/\$155.00, AMC438851/\$155.00, AMC438852/\$155.00, AMC438853/\$155.00, AMC438854/\$155.00, AMC438855/\$155.00, AMC438856/\$155.00, AMC438857/\$155.00, AMC438858/\$155.00,		- n/a -	2480.00

		AMC438859/\$155.00, AMC438860/\$155.00, AMC438861/\$155.00, AMC438862/\$155.00, AMC438863/\$155.00, AMC438864/\$155.00			
4	1.00	LOCATABLE MINERALS / MINING CLAIMS-NOT NEW-UNADJUD, ONE AUTH NO. ONLY / MINING CLAIM MONEY RECEIVED CASES: AMC438849/\$2480.00	NEW ASSOC PLACER	- n/a -	2480.00
TOTAL:					\$5,872.00

PAYMENT INFORMATION					
1	AMOUNT:	5872.00	POSTMARKED:	07/19/2016	
	TYPE:	CHECK	RECEIVED:	07/20/2016	
	CHECK NO:	1069			
	NAME:	MILLENNIA INC 10624 S EASTERN AVE STE A-346 HENDERSON NV 89052 US			

REMARKS

This receipt was generated by the automated BLM Collections and Billing System and is a paper representation of a portion of the official electronic record contained therein.

NOTICE!!

These documents have been scanned!

Do not place un-scanned documents beneath this notice!

Do not remove this notice from this file!

GPO Jacket No. 560-102
Print Order 61540
Rise Business Services, LLC
Job=AZ15 6/24/2019



Box Number= AZ15126



Claim Begin-End: AMC438849-AMC438864

2 Correspondence



AZ15126-14

AMC428281-AMC452898



United States Department of the Interior



BUREAU OF LAND MANAGEMENT

Arizona State Office

One North Central Avenue, Suite 800

Phoenix, Arizona 85004-4427

www.blm.gov/az/

NOV 08 2019

In Reply Refer To:

3800 (9200) PB

AMC438198; AMC438292; AMC438422; AMC438488; AMC438849; AMC438984;

AMC445505;

CERTIFIED MAIL - RETURN RECEIPT REQUESTED No. 9214 8901 9403 8398 3361 27

DECISION

GRAND CANYON GOLD CORP	:	This decision affects those claims
16772 W BELL RD # 110-417	:	shown on the attached list(s).
SURPRISE, AZ 85374-9702	:	

SEE ATTACHMENT(S) FOR CLAIM NAMES AND AMC NUMBERS

MINING CLAIMS DECLARED FORFEITED

The mining claims listed above have been declared forfeited as of September 1, 2019, for failure to timely file the required maintenance fee payment or small miner's maintenance fee waiver (waiver).

Claimants are required to pay an annual non-refundable maintenance fee of \$165 per 20 acres or portion thereof, or submit a waiver, on or before September 1 of each year. These requirements were established by 30 U.S.C. 28f-l, as amended, and 43 CFR 3834 and 3835.

Our records do not show receipt of a maintenance fee payment or small miner waiver filed on or before the due date. Therefore, the claims listed above are forfeited.

Reclamation Requirements

This decision does not relieve you of the liability for reclamation of all areas disturbed by your activities on lands covered by the subject mining claim(s) and/or site(s). After you complete the reclamation, you must notify the authorized officer of the appropriate surface managing agency so that the authorized officer may conduct a final site inspection and determine whether you may be released from liability. If you fail to reclaim the land to the satisfaction of the authorized officer, the surface management agency may cite you for noncompliance under its surface management regulations. For land administered by the Bureau of Land Management (BLM), if

you fail to reclaim the land to the satisfaction of the authorized officer as required in 43 CFR Subpart 3809, the BLM will issue an order of noncompliance under 43CFR 3809.601(a). If you fail to comply with the non-compliance order, BLM may take further action under 43 CFR 3809.604. Failure to conduct reclamation is a prohibited act that may subject you to criminal penalties. See 43 CFR 3809.605(h) and 43 CFR 3809.700.

Appeal Procedures

This decision may be appealed to the Interior Board of Land Appeals, Office of the Secretary, in accordance with the regulations contained in 43 CFR, Part 4, and the enclosed Form 1842-1. If an appeal is taken, your notice of appeal must be filed in this office (at the above address) within 30 days from receipt of this decision. The appellant has the burden of showing that the decision appealed from is in error.

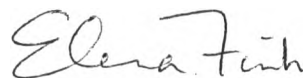
If you wish to file a petition pursuant to regulation 43 CFR 4.21 (58 FR 4939, January 19, 1993) for a stay of the effectiveness of this decision during the time that your appeal is being reviewed by the Board, the petition for a stay must accompany your notice of appeal. A petition for a stay is required to show sufficient justification based on the standards listed below. Copies of the notice of appeal and petition for a stay **must** also be submitted to each party named in this decision and to the Interior Board of Land Appeals and to the appropriate Office of the Solicitor (see 43 CFR 4.413) at the same time the original documents are filed with this office. If you request a stay, you have the burden of proof to demonstrate that a stay should be granted.

Standards for Obtaining a Stay

Except as otherwise provided by law or other pertinent regulation, a petition for a stay of a decision pending appeal shall show sufficient justification based on the following standards:

- (1) The relative harm to the parties if the stay is granted or denied,
- (1) The likelihood of the appellant's success on the merits,
- (2) The likelihood of immediate and irreparable harm if the stay is not granted, and
- (3) Whether the public interest favors granting the stay.

Please include your AMC serial number(s) on all correspondence. If additional information is required, please call Pauline Brown at 602-417-9360.



Elena Fink
Deputy State Director
Lands, Minerals and Energy Division

Enclosure(s)

US Department of the Interior
Bureau of Land Management
1 N Central Ave Ste 800
Phoenix, AZ 85004

USPS CERTIFIED MAIL



9214 8901 9403 8398 3361 27

GRAND CANYON GOLD CORP
16772 W BELL RD UNIT 110-417
SURPRISE AZ 85374-9702

MINING CLAIM LISTING FOR: GRAND CANYON GOLD CORP
16772 W BELL RD # 110-417
SURPRISE AZ 85374-9702

Serial Number	Lead Serial Number	Claim Name	Last Assmt Year
AMC438198	AMC438198	22-A	2019
AMC438199	AMC438198	22-A2	2019
AMC438200	AMC438198	22-A3	2019
AMC438201	AMC438198	22-A4	2019
AMC438202	AMC438198	22-B	2019
AMC438203	AMC438198	22-B2	2019
AMC438204	AMC438198	22-B3	2019
AMC438205	AMC438198	22-B4	2019
AMC438206	AMC438198	22-C	2019
AMC438207	AMC438198	22-C2	2019
AMC438208	AMC438198	22-C3	2019
AMC438209	AMC438198	22-C4	2019
AMC438210	AMC438198	22-D	2019
AMC438211	AMC438198	22-D2	2019
AMC438212	AMC438198	22-D3	2019
AMC438213	AMC438198	22-D4	2019
AMC438292	AMC438292	20-A	2019
AMC438293	AMC438292	20-A2	2019
AMC438294	AMC438292	20-A3	2019
AMC438295	AMC438292	20-A4	2019
AMC438296	AMC438292	20-B	2019
AMC438297	AMC438292	20-B2	2019
AMC438298	AMC438292	20-B3	2019
AMC438299	AMC438292	20-B4	2019
AMC438300	AMC438292	20-C	2019
AMC438301	AMC438292	20-C2	2019
AMC438302	AMC438292	20-C3	2019
AMC438303	AMC438292	20-C4	2019
AMC438304	AMC438292	20-D	2019
AMC438305	AMC438292	20-D2	2019
AMC438306	AMC438292	20-D3	2019
AMC438307	AMC438292	20-D4	2019
AMC438308	AMC438292	21-A	2019
AMC438309	AMC438292	21-A2	2019
AMC438310	AMC438292	21-A3	2019
AMC438311	AMC438292	21-A4	2019
AMC438312	AMC438292	21-B	2019
AMC438313	AMC438292	21-B2	2019
AMC438314	AMC438292	21-B3	2019
AMC438315	AMC438292	21-B4	2019
AMC438316	AMC438292	21-C	2019
AMC438317	AMC438292	21-C2	2019
AMC438318	AMC438292	21-C3	2019
AMC438319	AMC438292	21-C4	2019
AMC438320	AMC438292	21-D	2019
AMC438321	AMC438292	21-D2	2019

Serial Number	Lead Serial Number	Claim Name	Last Assmt Year
AMC438322	AMC438292	21-D3	2019
AMC438323	AMC438292	21-D4	2019
AMC438422	AMC438422	19-A	2019
AMC438423	AMC438422	19-A2	2019
AMC438424	AMC438422	19-A3	2019
AMC438425	AMC438422	19-A4	2019
AMC438426	AMC438422	19-B	2019
AMC438427	AMC438422	19-B2	2019
AMC438428	AMC438422	19-B3	2019
AMC438429	AMC438422	19-B4	2019
AMC438430	AMC438422	19-C	2019
AMC438431	AMC438422	19-C2	2019
AMC438432	AMC438422	19-C3	2019
AMC438433	AMC438422	19-C4	2019
AMC438434	AMC438422	19-D	2019
AMC438435	AMC438422	19-D2	2019
AMC438436	AMC438422	19-D3	2019
AMC438437	AMC438422	19-D4	2019
AMC438438	AMC438422	30-A	2019
AMC438439	AMC438422	30-A2	2019
AMC438440	AMC438422	30-A3	2019
AMC438441	AMC438422	30-A4	2019
AMC438442	AMC438422	30-B	2019
AMC438443	AMC438422	30-B2	2019
AMC438444	AMC438422	30-B3	2019
AMC438445	AMC438422	30-B4	2019
AMC438446	AMC438422	30-C	2019
AMC438447	AMC438422	30-C2	2019
AMC438448	AMC438422	30-C3	2019
AMC438449	AMC438422	30-C4	2019
AMC438450	AMC438422	30-D	2019
AMC438451	AMC438422	30-D2	2019
AMC438452	AMC438422	30-D3	2019
AMC438453	AMC438422	30-D4	2019
AMC438488	AMC438488	P17	2019
AMC438489	AMC438488	P17-1	2019
AMC438490	AMC438488	P17-2	2019
AMC438491	AMC438488	P17-3	2019
AMC438492	AMC438488	P17-4	2019
AMC438493	AMC438488	P17-5	2019
AMC438494	AMC438488	P17-6	2019
AMC438495	AMC438488	P17-7	2019
AMC438496	AMC438488	P17-8	2019
AMC438497	AMC438488	P17-9	2019
AMC438498	AMC438488	P17-10	2019
AMC438499	AMC438488	P17-11	2019

Serial Number	Lead Serial Number	Claim Name	Last Assmt Year
AMC438500	AMC438488	P17-12	2019
AMC438501	AMC438488	P17-13	2019
AMC438502	AMC438488	P17-14	2019
AMC438503	AMC438488	P17-15	2019
AMC438849	AMC438849	35-A	2019
AMC438850	AMC438849	35-A2	2019
AMC438851	AMC438849	35-A3	2019
AMC438852	AMC438849	35-A4	2019
AMC438853	AMC438849	35-B	2019
AMC438854	AMC438849	35-B2	2019
AMC438855	AMC438849	35-B3	2019
AMC438856	AMC438849	35-B4	2019
AMC438857	AMC438849	35-C	2019
AMC438858	AMC438849	35-C2	2019
AMC438859	AMC438849	35-C3	2019
AMC438860	AMC438849	35-C4	2019
AMC438861	AMC438849	35-D	2019
AMC438862	AMC438849	35-D2	2019
AMC438863	AMC438849	35-D3	2019
AMC438864	AMC438849	35-D4	2019
AMC438984	AMC438984	P7	2019
AMC438985	AMC438984	P7-1	2019
AMC438986	AMC438984	P7-2	2019
AMC438987	AMC438984	P7-3	2019
AMC438988	AMC438984	P7-4	2019
AMC438989	AMC438984	P7-5	2019
AMC438990	AMC438984	P7-6	2019
AMC438991	AMC438984	P7-7	2019
AMC438992	AMC438984	P7-8	2019
AMC438993	AMC438984	P7-9	2019
AMC438994	AMC438984	P7-10	2019
AMC438995	AMC438984	P7-11	2019
AMC438996	AMC438984	P7-12	2019
AMC438997	AMC438984	P7-13	2019
AMC438998	AMC438984	P7-14	2019

Serial Number	Lead Serial Number	Claim Name	Last Assmt Year
AMC438999	AMC438984	P7-15	2019
AMC445505	AMC445505	IDCF 1	2019
AMC445506	AMC445505	IDCF 2	2019
AMC445507	AMC445505	IDCF 3	2019
AMC445508	AMC445505	IDCF 4	2019
AMC445509	AMC445505	IDCF 5	2019
AMC445510	AMC445505	IDCF 6	2019
AMC445511	AMC445505	IDCF 7	2019
AMC445512	AMC445505	IDCF 8	2019
AMC445513	AMC445505	IDCF 9	2019
AMC445514	AMC445505	IDCF 10	2019
AMC445515	AMC445505	IDCF 11	2019
AMC445516	AMC445505	IDCF 12	2019
AMC445517	AMC445505	IDCF 13	2019
AMC445518	AMC445505	IDCF 14	2019
AMC445519	AMC445505	IDCF 15	2019
AMC445520	AMC445505	IDCF 16	2019
AMC445521	AMC445505	IDCF 17	2019
AMC445522	AMC445505	IDCF 18	2019
AMC445523	AMC445505	IDCF 19	2019
AMC445524	AMC445505	IDCF 20	2019
AMC445525	AMC445505	IDCF 21	2019
AMC445526	AMC445505	IDCF 22	2019
AMC445527	AMC445505	IDCF 23	2019
AMC445528	AMC445505	IDCF 24	2019
AMC445529	AMC445505	IDCF 25	2019
AMC445530	AMC445505	IDCF 26	2019
AMC445531	AMC445505	IDCF 27	2019
AMC445532	AMC445505	IDCF 28	2019
AMC445533	AMC445505	IDCF 29	2019
AMC445534	AMC445505	IDCF 30	2019
AMC445535	AMC445505	IDCF 31	2019
AMC445536	AMC445505	IDCF 32	2019



Date Produced: 11/18/2019

ConnectSuite Inc.:

The following is the delivery information for Certified Mail™/RRE item number 9214 8901 9403 8398 3361 27. Our records indicate that this item was delivered on 11/15/2019 at 11:11 a.m. in SURPRISE, AZ 85374. The scanned image of the recipient information is provided below.

Signature of Recipient :

RS Hall
ROBERT HALL

Address of Recipient :

**16772 W BELL RD
SURPRISE, AZ 85374**

Thank you for selecting the Postal Service for your mailing needs. If you require additional assistance, please contact your local post office or Postal Service representative.

Sincerely,
United States Postal Service

The customer reference number shown below is not validated or endorsed by the United States Postal Service. It is solely for customer use.

Customer Reference Number: C1744151.9937755

**NO
DOCUMENTS
FOUND**

NO DOCUMENTS FOUND
NO DOCUMENTS FOUND

NOTICE!!

These documents have been scanned!

Do not place un-scanned documents beneath this notice!

Do not remove this notice from this file!

GPO Jacket No. 560-102
Print Order 61540
Rise Business Services, LLC
Job=AZ15 6/24/2019



Box Number= AZ15126



Claim Begin-End: AMC438849-AMC438864

3 Transfers



AZ15126-14

AMC428281-AMC452898

**NO
DOCUMENTS
FOUND**

NO DOCUMENTS FOUND
NO DOCUMENTS FOUND

NOTICE!!

These documents have been scanned!

Do not place un-scanned documents beneath this notice!

Do not remove this notice from this file!

GPO Jacket No. 560-102
Print Order 61540
Rise Business Services, LLC
Job=AZ15 6/24/2019



Box Number= AZ15126



Claim Begin-End: AMC438849-AMC438864

4 Annual Filings



AZ15126-14

AMC428281-AMC452898

DEPARTMENT OF THE INTERIOR
BUREAU OF LAND MANAGEMENT
MINING CLAIMS

Run Date/Time: 9/11/2018

MC Maintenance Fees Paid Through the BLM Pay Portal
(by Date Paid)

Page 577 Of 723

CBS Receipt: 4251024

Printed For Lead File # AMC438849

Agency Tracking ID: 1535674480

Assessment Year: 2019

Paid On: 8/31/2018

Number of BLM Serial Nr: 48

Total Amount Paid: \$14,880.00

Claim Name	BLM Serial No	Lead File No	Amount Paid
19-A	AMC438422	AMC438422	\$310.00
19-A2	AMC438423	AMC438422	\$310.00
19-A3	AMC438424	AMC438422	\$310.00
19-A4	AMC438425	AMC438422	\$310.00
19-B	AMC438426	AMC438422	\$310.00
19-B2	AMC438427	AMC438422	\$310.00
19-B3	AMC438428	AMC438422	\$310.00
19-B4	AMC438429	AMC438422	\$310.00
19-C	AMC438430	AMC438422	\$310.00
19-C2	AMC438431	AMC438422	\$310.00
19-C3	AMC438432	AMC438422	\$310.00
19-C4	AMC438433	AMC438422	\$310.00
19-D	AMC438434	AMC438422	\$310.00
19-D2	AMC438435	AMC438422	\$310.00
19-D3	AMC438436	AMC438422	\$310.00
19-D4	AMC438437	AMC438422	\$310.00
30-A	AMC438438	AMC438422	\$310.00
30-A2	AMC438439	AMC438422	\$310.00
30-A3	AMC438440	AMC438422	\$310.00
30-A4	AMC438441	AMC438422	\$310.00
30-B	AMC438442	AMC438422	\$310.00
30-B2	AMC438443	AMC438422	\$310.00
30-B3	AMC438444	AMC438422	\$310.00
30-B4	AMC438445	AMC438422	\$310.00

NO WARRANTY IS MADE BY BLM FOR USE OF THE DATA FOR PURPOSES NOT INTENDED BY BLM

**DEPARTMENT OF THE INTERIOR
BUREAU OF LAND MANAGEMENT
MINING CLAIMS**

Run Date/Time: 9/11/2018

**MC Maintenance Fees Paid Through the BLM Pay Portal
(by Date Paid)**

Page 578 Of 723

30-C	AMC438446	AMC438422	\$310.00
30-C2	AMC438447	AMC438422	\$310.00
30-C3	AMC438448	AMC438422	\$310.00
30-C4	AMC438449	AMC438422	\$310.00
30-D	AMC438450	AMC438422	\$310.00
30-D2	AMC438451	AMC438422	\$310.00
30-D3	AMC438452	AMC438422	\$310.00
30-D4	AMC438453	AMC438422	\$310.00
35-A	AMC438849	AMC438849	\$310.00
35-A2	AMC438850	AMC438849	\$310.00
35-A3	AMC438851	AMC438849	\$310.00
35-A4	AMC438852	AMC438849	\$310.00
35-B	AMC438853	AMC438849	\$310.00
35-B2	AMC438854	AMC438849	\$310.00
35-B3	AMC438855	AMC438849	\$310.00
35-B4	AMC438856	AMC438849	\$310.00
35-C	AMC438857	AMC438849	\$310.00
35-C2	AMC438858	AMC438849	\$310.00
35-C3	AMC438859	AMC438849	\$310.00
35-C4	AMC438860	AMC438849	\$310.00
35-D	AMC438861	AMC438849	\$310.00
35-D2	AMC438862	AMC438849	\$310.00
35-D3	AMC438863	AMC438849	\$310.00
35-D4	AMC438864	AMC438849	\$310.00

United States Department of the Interior

Bureau of Land Management
 BUSINESS & SUPPORT SVCS DIV
 ONE N CENTRAL AVE SUITE 800
 PHOENIX, AZ 85004 -4427
 Phone: 602-417-9200

Receipt

No: 4251024

Transaction #: 4366532	
Date of Transaction: 08/30/2018	
CUSTOMER:	
STEPHEN MARTINDALE 121 WALNUT AVE HUNTINGTON BEACH,CA 92648 US	

LINE #	QTY	DESCRIPTION	REMARKS	UNIT PRICE	TOTAL
1	1.00	LOCATABLE MINERALS / MINING CLAIMS-NOT NEW-UNADJUD,ONE AUTH NO. ONLY / MINING CLAIM MONEY RECEIVED CASES: AMC438422/\$14880.00		- n/a -	14880.00
TOTAL:					\$14,880.00

PAYMENT INFORMATION			
NOTE: Items will appear on credit card statement as "BLM O Mining Claim".			
1	AMOUNT:	14880.00	POSTMARKED: N/A
	TYPE:	CREDIT CARD	RECEIVED: 08/30/2018
	NAME:	STEPHEN MARTINDALE 121 WALNUT AVE HUNTINGTON BEACH CA 92648 US	
	CARD NO:	XXXXXXXXXXXX7230	AUTH CODE: 072400
	NAME ON CARD:	STEPHEN MARTINDALE	
	SIGNATURE:		

REMARKS

This receipt was generated by the automated BLM Collections and Billing System and is a paper representation of a portion of the official electronic record contained therein.

AMC 438198
 438292
 438422
 438849
 441040
 443547

MAINTENANCE FEE PAYMENT

Claimant Name: MILLENNIA INC.
 Address: 11 VALORE DRIVE
 City: NEWPORT BEACH State: CA Zip: 92657
 Telephone: 410-262-9200
 E-mail address: smartindale@millenniainc.com
 Signature: [Signature]

RECEIVED
 STATE OFFICE
 2017 AUG 29 P 12:50
 PHOENIX, ARIZONA
 BLM
 Date
 Stamp

Check here if this is a change of address.

LINE NO.	AMC NUMBER	CLAIM/SITE NAME	COUNTY RECORDER DATA (If available)	TWP	RNG	SEC
1		See ATTACHED				
2						
3						
4						
5						
6						
7						
8						
9						
10						

List additional claims on Form MCF114.

Bureau of Land Management
 Arizona State Office
www.blm.gov/az/

No. of Claims*: 320 x \$155 = 64,400⁰⁰
 Check No: 1155 Init. PER
 Receipt No.: 3964724
 For BLM Use Only

* \$155 per lode mining claim, mill site, or tunnel site; and \$155 for each 20 acres or portion thereof for each placer mining claim.

Form: MCF112
 Revised July 2014

ENTERED
 AUG 30 2017
 BY: [Signature]

This form is available from the Arizona Geological Survey and may be reproduced.

Millennia Inc & Plomosa Mining Inc Maintenance fee list

Millennia Inc.				
AMC438198	22-A	MILLENNIA INC	310.00	14/0030N/0180W/022
AMC438199	22-A2	MILLENNIA INC	310.00	14/0030N/0180W/022
AMC438200	22-A3	MILLENNIA INC	310.00	14/0030N/0180W/022
AMC438201	22-A4	MILLENNIA INC	310.00	14/0030N/0180W/022
AMC438202	22-B	MILLENNIA INC	310.00	14/0030N/0180W/022
AMC438203	22-B2	MILLENNIA INC	310.00	14/0030N/0180W/022
AMC438204	22-B3	MILLENNIA INC	310.00	14/0030N/0180W/022
AMC438205	22-B4	MILLENNIA INC	310.00	14/0030N/0180W/022
AMC438206	22-C	MILLENNIA INC	310.00	14/0030N/0180W/022
AMC438207	22-C2	MILLENNIA INC	310.00	14/0030N/0180W/022
AMC438208	22-C3	MILLENNIA INC	310.00	14/0030N/0180W/022
AMC438209	22-C4	MILLENNIA INC	310.00	14/0030N/0180W/022
AMC438210	22-D	MILLENNIA INC	310.00	14/0030N/0180W/022
AMC438211	22-D2	MILLENNIA INC	310.00	14/0030N/0180W/022
AMC438212	22-D3	MILLENNIA INC	310.00	14/0030N/0180W/022
AMC438213	22-D4	MILLENNIA INC	310.00	14/0030N/0180W/022
AMC438292	20-A	MILLENNIA INC	310.00	14/0030N/0180W/020
AMC438293	20-A2	MILLENNIA INC	310.00	14/0030N/0180W/020
AMC438294	20-A3	MILLENNIA INC	310.00	14/0030N/0180W/020
AMC438295	20-A4	MILLENNIA INC	310.00	14/0030N/0180W/020
AMC438296	20-B	MILLENNIA INC	310.00	14/0030N/0180W/020
AMC438297	20-B2	MILLENNIA INC	310.00	14/0030N/0180W/020
AMC438298	20-B3	MILLENNIA INC	310.00	14/0030N/0180W/020
AMC438299	20-B4	MILLENNIA INC	310.00	14/0030N/0180W/020
AMC438300	20-C	MILLENNIA INC	310.00	14/0030N/0180W/020
AMC438301	20-C2	MILLENNIA INC	310.00	14/0030N/0180W/020
AMC438302	20-C3	MILLENNIA INC	310.00	14/0030N/0180W/020
AMC438303	20-C4	MILLENNIA INC	310.00	14/0030N/0180W/020
AMC438304	20-D	MILLENNIA INC	310.00	14/0030N/0180W/020
AMC438305	20-D2	MILLENNIA INC	310.00	14/0030N/0180W/020
AMC438306	20-D3	MILLENNIA INC	310.00	14/0030N/0180W/020
AMC438307	20-D4	MILLENNIA INC	310.00	14/0030N/0180W/020
AMC438308	21-A	MILLENNIA INC	310.00	14/0030N/0180W/021
AMC438309	21-A2	MILLENNIA INC	310.00	14/0030N/0180W/021
AMC438310	21-A3	MILLENNIA INC	310.00	14/0030N/0180W/021
AMC438311	21-A4	MILLENNIA INC	310.00	14/0030N/0180W/021
AMC438312	21-B	MILLENNIA INC	310.00	14/0030N/0180W/021
AMC438313	21-B2	MILLENNIA INC	310.00	14/0030N/0180W/021
AMC438314	21-B3	MILLENNIA INC	310.00	14/0030N/0180W/021
AMC438315	21-B4	MILLENNIA INC	310.00	14/0030N/0180W/021
AMC438316	21-C	MILLENNIA INC	310.00	14/0030N/0180W/021

PHOENIX, ARIZONA

2017 AUG 29 P 1:01

RECEIVED
STATE OFFICE

Millennia Inc & Plomosa Mining Inc Maintenance fee list

AMC438317	21-C2	MILLENNIA INC	310.00	14/0030N/0180W/021
AMC438318	21-C3	MILLENNIA INC	310.00	14/0030N/0180W/021
AMC438319	21-C4	MILLENNIA INC	310.00	14/0030N/0180W/021
AMC438320	21-D	MILLENNIA INC	310.00	14/0030N/0180W/021
AMC438321	21-D2	MILLENNIA INC	310.00	14/0030N/0180W/021
AMC438322	21-D3	MILLENNIA INC	310.00	14/0030N/0180W/021
AMC438323	21-D4	MILLENNIA INC	310.00	14/0030N/0180W/021
AMC438422	19-A	MILLENNIA INC	310.00	14/0030N/0180W/019
AMC438423	19-A2	MILLENNIA INC	310.00	14/0030N/0180W/019
AMC438424	19-A3	MILLENNIA INC	310.00	14/0030N/0180W/019
AMC438425	19-A4	MILLENNIA INC	310.00	14/0030N/0180W/019
AMC438426	19-B	MILLENNIA INC	310.00	14/0030N/0180W/019
AMC438427	19-B2	MILLENNIA INC	310.00	14/0030N/0180W/019
AMC438428	19-B3	MILLENNIA INC	310.00	14/0030N/0180W/019
AMC438429	19-B4	MILLENNIA INC	310.00	14/0030N/0180W/019
AMC438430	19-C	MILLENNIA INC	310.00	14/0030N/0180W/019
AMC438431	19-C2	MILLENNIA INC	310.00	14/0030N/0180W/019
AMC438432	19-C3	MILLENNIA INC	310.00	14/0030N/0180W/019
AMC438433	19-C4	MILLENNIA INC	310.00	14/0030N/0180W/019
AMC438434	19-D	MILLENNIA INC	310.00	14/0030N/0180W/019
AMC438435	19-D2	MILLENNIA INC	310.00	14/0030N/0180W/019
AMC438436	19-D3	MILLENNIA INC	310.00	14/0030N/0180W/019
AMC438437	19-D4	MILLENNIA INC	310.00	14/0030N/0180W/019
AMC438438	30-A	MILLENNIA INC	310.00	14/0030N/0180W/030
AMC438439	30-A2	MILLENNIA INC	310.00	14/0030N/0180W/030
AMC438440	30-A3	MILLENNIA INC	310.00	14/0030N/0180W/030
AMC438441	30-A4	MILLENNIA INC	310.00	14/0030N/0180W/030
AMC438442	30-B	MILLENNIA INC	310.00	14/0030N/0180W/030
AMC438443	30-B2	MILLENNIA INC	310.00	14/0030N/0180W/030
AMC438444	30-B3	MILLENNIA INC	310.00	14/0030N/0180W/030
AMC438445	30-B4	MILLENNIA INC	310.00	14/0030N/0180W/030
AMC438446	30-C	MILLENNIA INC	310.00	14/0030N/0180W/030
AMC438447	30-C2	MILLENNIA INC	310.00	14/0030N/0180W/030
AMC438448	30-C3	MILLENNIA INC	310.00	14/0030N/0180W/030
AMC438449	30-C4	MILLENNIA INC	310.00	14/0030N/0180W/030
AMC438450	30-D	MILLENNIA INC	310.00	14/0030N/0180W/030
AMC438451	30-D2	MILLENNIA INC	310.00	14/0030N/0180W/030
AMC438452	30-D3	MILLENNIA INC	310.00	14/0030N/0180W/030
AMC438453	30-D4	MILLENNIA INC	310.00	14/0030N/0180W/030
AMC438849	35-A	MILLENNIA INC	310.00	14/0030N/0180W/035
AMC438850	35-A2	MILLENNIA INC	310.00	14/0030N/0180W/035
AMC438851	35-A3	MILLENNIA INC	310.00	14/0030N/0180W/035
AMC438852	35-A4	MILLENNIA INC	310.00	14/0030N/0180W/035
AMC438853	35-B	MILLENNIA INC	310.00	14/0030N/0180W/035

PHOENIX, ARIZONA

2011 AUG 29 P 1:01

RECEIVED
STATE OFFICE

Millennia Inc & Plomosa Mining Inc Maintenance fee list

AMC438854	35-B2	MILLENNIA INC	310.00	14/0030N/0180W/035
AMC438855	35-B3	MILLENNIA INC	310.00	14/0030N/0180W/035
AMC438856	35-B4	MILLENNIA INC	310.00	14/0030N/0180W/035
AMC438857	35-C	MILLENNIA INC	310.00	14/0030N/0180W/035
AMC438858	35-C2	MILLENNIA INC	310.00	14/0030N/0180W/035
AMC438859	35-C3	MILLENNIA INC	310.00	14/0030N/0180W/035
AMC438860	35-C4	MILLENNIA INC	310.00	14/0030N/0180W/035
AMC438861	35-D	MILLENNIA INC	310.00	14/0030N/0180W/035
AMC438862	35-D2	MILLENNIA INC	310.00	14/0030N/0180W/035
AMC438863	35-D3	MILLENNIA INC	310.00	14/0030N/0180W/035
AMC438864	35-D4	MILLENNIA INC	310.00	14/0030N/0180W/035
AMC441040	PLOMOSA 23-1	MILLENNIA INC	155.00	14/0030N/0180W/023
AMC441041	PLOMOSA 23-2	MILLENNIA INC	155.00	14/0030N/0180W/023
AMC441042	PLOMOSA 23-3	MILLENNIA INC	155.00	14/0030N/0180W/023
AMC441043	PLOMOSA 23-4	MILLENNIA INC	155.00	14/0030N/0180W/023
AMC441044	PLOMOSA 23-5	MILLENNIA INC	155.00	14/0030N/0180W/023
AMC441045	PLOMOSA 23-6	MILLENNIA INC	155.00	14/0030N/0180W/023
AMC441046	PLOMOSA 23-7	MILLENNIA INC	155.00	14/0030N/0180W/023
AMC441047	PLOMOSA 23-8	MILLENNIA INC	155.00	14/0030N/0180W/023
AMC441048	PLOMOSA 23-9	MILLENNIA INC	155.00	14/0030N/0180W/023
AMC441049	PLOMOSA 23-10	MILLENNIA INC	155.00	14/0030N/0180W/023
AMC441050	PLOMOSA 23-11	MILLENNIA INC	155.00	14/0030N/0180W/023
AMC441051	PLOMOSA 23-12	MILLENNIA INC	155.00	14/0030N/0180W/023
AMC441052	PLOMOSA 23-13	MILLENNIA INC	155.00	14/0030N/0180W/023
AMC441053	PLOMOSA 23-14	MILLENNIA INC	155.00	14/0030N/0180W/023
AMC441054	PLOMOSA 23-15	MILLENNIA INC	155.00	14/0030N/0180W/023
AMC441055	PLOMOSA 23-16	MILLENNIA INC	155.00	14/0030N/0180W/023
AMC441056	PLOMOSA 23-17	MILLENNIA INC	155.00	14/0030N/0180W/023
AMC441057	PLOMOSA 23-18	MILLENNIA INC	155.00	14/0030N/0180W/023
AMC441058	PLOMOSA 23-19	MILLENNIA INC	155.00	14/0030N/0180W/023
AMC441059	PLOMOSA 23-20	MILLENNIA INC	155.00	14/0030N/0180W/023
AMC441060	PLOMOSA 23-21	MILLENNIA INC	155.00	14/0030N/0180W/023
AMC441061	PLOMOSA 23-22	MILLENNIA INC	155.00	14/0030N/0180W/023
AMC441062	PLOMOSA 23-23	MILLENNIA INC	155.00	14/0030N/0180W/023
AMC441063	PLOMOSA 23-24	MILLENNIA INC	155.00	14/0030N/0180W/023
AMC441064	PLOMOSA 23-25	MILLENNIA INC	155.00	14/0030N/0180W/023
AMC441065	PLOMOSA 23-26	MILLENNIA INC	155.00	14/0030N/0180W/023
AMC441066	PLOMOSA 23-27	MILLENNIA INC	155.00	14/0030N/0180W/023
AMC441067	PLOMOSA 23-28	MILLENNIA INC	155.00	14/0030N/0180W/023
AMC441068	PLOMOSA 23-29	MILLENNIA INC	155.00	14/0030N/0180W/023
AMC441069	PLOMOSA 23-30	MILLENNIA INC	155.00	14/0030N/0180W/023
AMC441070	PLOMOSA 23-31	MILLENNIA INC	155.00	14/0030N/0180W/023
AMC441071	PLOMOSA 23-32	MILLENNIA INC	155.00	14/0030N/0180W/023

\$39,680.00

2011 AUG 29 P 1:01

RECEIVED
OFFICE

Millennia Inc & Plomosa Mining Inc Maintenance fee list

Plomosa Mining Inc.

AMC443547	PM-24-1	PLOMOSA MINING INC	155.00	14/0030N/0190W/024
AMC443548	PM-24-2	PLOMOSA MINING INC	155.00	14/0030N/0190W/024
AMC443549	PM-24-3	PLOMOSA MINING INC	155.00	14/0030N/0190W/024
AMC443550	PM-24-4	PLOMOSA MINING INC	155.00	14/0030N/0190W/024
AMC443551	PM-24-5	PLOMOSA MINING INC	155.00	14/0030N/0190W/024
AMC443552	PM-24-6	PLOMOSA MINING INC	155.00	14/0030N/0190W/024
AMC443553	PM-24-7	PLOMOSA MINING INC	155.00	14/0030N/0190W/024
AMC443554	PM-24-8	PLOMOSA MINING INC	155.00	14/0030N/0190W/024
AMC443555	PM-24-9	PLOMOSA MINING INC	155.00	14/0030N/0190W/024
AMC443556	PM-24-10	PLOMOSA MINING INC	155.00	14/0030N/0190W/024
AMC443557	PM-24-11	PLOMOSA MINING INC	155.00	14/0030N/0190W/024
AMC443558	PM-24-12	PLOMOSA MINING INC	155.00	14/0030N/0190W/024
AMC443559	PM-24-13	PLOMOSA MINING INC	155.00	14/0030N/0190W/024
AMC443560	PM-24-14	PLOMOSA MINING INC	155.00	14/0030N/0190W/024
AMC443561	PM-24-15	PLOMOSA MINING INC	155.00	14/0030N/0190W/024
AMC443562	PM-24-16	PLOMOSA MINING INC	155.00	14/0030N/0190W/024
AMC443563	PM-24-17	PLOMOSA MINING INC	155.00	14/0030N/0190W/024
AMC443564	PM-24-18	PLOMOSA MINING INC	155.00	14/0030N/0190W/024
AMC443565	PM-24-19	PLOMOSA MINING INC	155.00	14/0030N/0190W/024
AMC443566	PM-24-20	PLOMOSA MINING INC	155.00	14/0030N/0190W/024
AMC443567	PM-24-21	PLOMOSA MINING INC	155.00	14/0030N/0190W/024
AMC443568	PM-24-22	PLOMOSA MINING INC	155.00	14/0030N/0190W/024
AMC443569	PM-24-23	PLOMOSA MINING INC	155.00	14/0030N/0190W/024
AMC443570	PM-24-24	PLOMOSA MINING INC	155.00	14/0030N/0190W/024
AMC443571	PM-24-25	PLOMOSA MINING INC	155.00	14/0030N/0190W/024
AMC443572	PM-24-26	PLOMOSA MINING INC	155.00	14/0030N/0190W/024
AMC443573	PM-24-27	PLOMOSA MINING INC	155.00	14/0030N/0190W/024
AMC443574	PM-24-28	PLOMOSA MINING INC	155.00	14/0030N/0190W/024
AMC443575	PM-24-29	PLOMOSA MINING INC	155.00	14/0030N/0190W/024
AMC443576	PM-24-30	PLOMOSA MINING INC	155.00	14/0030N/0190W/024
AMC443577	PM-24-31	PLOMOSA MINING INC	155.00	14/0030N/0190W/024
AMC443578	PM-24-32	PLOMOSA MINING INC	155.00	14/0030N/0190W/024
AMC443579	PM-25-1	PLOMOSA MINING INC	155.00	14/0030N/0190W/025
AMC443580	PM-25-2	PLOMOSA MINING INC	155.00	14/0030N/0190W/025
AMC443581	PM-25-3	PLOMOSA MINING INC	155.00	14/0030N/0190W/025
AMC443582	PM-25-4	PLOMOSA MINING INC	155.00	14/0030N/0190W/025
AMC443583	PM-25-5	PLOMOSA MINING INC	155.00	14/0030N/0190W/025
AMC443584	PM-25-6	PLOMOSA MINING INC	155.00	14/0030N/0190W/025
AMC443585	PM-25-7	PLOMOSA MINING INC	155.00	14/0030N/0190W/025
AMC443586	PM-25-8	PLOMOSA MINING INC	155.00	14/0030N/0190W/025
AMC443587	PM-25-9	PLOMOSA MINING INC	155.00	14/0030N/0190W/025

PHOENIX, ARIZONA

2011 AUG 29 P 1:02

RECEIVED
OFFICE

Millennia Inc & Plomosa Mining Inc Maintenance fee list

AMC443588	PM-25-10	PLOMOSA MINING INC	155.00	14/0030N/0190W/025
AMC443589	PM-25-11	PLOMOSA MINING INC	155.00	14/0030N/0190W/025
AMC443590	PM-25-12	PLOMOSA MINING INC	155.00	14/0030N/0190W/025
AMC443591	PM-25-13	PLOMOSA MINING INC	155.00	14/0030N/0190W/025
AMC443592	PM-25-14	PLOMOSA MINING INC	155.00	14/0030N/0190W/025
AMC443593	PM-25-15	PLOMOSA MINING INC	155.00	14/0030N/0190W/025
AMC443594	PM-25-16	PLOMOSA MINING INC	155.00	14/0030N/0190W/025
AMC443595	PM-25-17	PLOMOSA MINING INC	155.00	14/0030N/0190W/025
AMC443596	PM-25-18	PLOMOSA MINING INC	155.00	14/0030N/0190W/025
AMC443597	PM-25-19	PLOMOSA MINING INC	155.00	14/0030N/0190W/025
AMC443598	PM-25-20	PLOMOSA MINING INC	155.00	14/0030N/0190W/025
AMC443599	PM-25-21	PLOMOSA MINING INC	155.00	14/0030N/0190W/025
AMC443600	PM-25-22	PLOMOSA MINING INC	155.00	14/0030N/0190W/025
AMC443601	PM-25-23	PLOMOSA MINING INC	155.00	14/0030N/0190W/025
AMC443602	PM-25-24	PLOMOSA MINING INC	155.00	14/0030N/0190W/025
AMC443603	PM-25-25	PLOMOSA MINING INC	155.00	14/0030N/0190W/025
AMC443604	PM-25-26	PLOMOSA MINING INC	155.00	14/0030N/0190W/025
AMC443605	PM-25-27	PLOMOSA MINING INC	155.00	14/0030N/0190W/025
AMC443606	PM-25-28	PLOMOSA MINING INC	155.00	14/0030N/0190W/025
AMC443607	PM-25-29	PLOMOSA MINING INC	155.00	14/0030N/0190W/025
AMC443608	PM-25-30	PLOMOSA MINING INC	155.00	14/0030N/0190W/025
AMC443609	PM-25-31	PLOMOSA MINING INC	155.00	14/0030N/0190W/025
AMC443610	PM-25-32	PLOMOSA MINING INC	155.00	14/0030N/0190W/025
AMC443611	PM-26-1	PLOMOSA MINING INC	155.00	14/0030N/0190W/026
AMC443612	PM-26-2	PLOMOSA MINING INC	155.00	14/0030N/0190W/026
AMC443613	PM-26-3	PLOMOSA MINING INC	155.00	14/0030N/0190W/026
AMC443614	PM-26-4	PLOMOSA MINING INC	155.00	14/0030N/0190W/026
AMC443615	PM-26-5	PLOMOSA MINING INC	155.00	14/0030N/0190W/026
AMC443616	PM-26-6	PLOMOSA MINING INC	155.00	14/0030N/0190W/026
AMC443617	PM-26-7	PLOMOSA MINING INC	155.00	14/0030N/0190W/026
AMC443618	PM-26-8	PLOMOSA MINING INC	155.00	14/0030N/0190W/026
AMC443619	PM-26-9	PLOMOSA MINING INC	155.00	14/0030N/0190W/026
AMC443620	PM-26-10	PLOMOSA MINING INC	155.00	14/0030N/0190W/026
AMC443621	PM-26-11	PLOMOSA MINING INC	155.00	14/0030N/0190W/026
AMC443622	PM-26-12	PLOMOSA MINING INC	155.00	14/0030N/0190W/026
AMC443623	PM-26-13	PLOMOSA MINING INC	155.00	14/0030N/0190W/026
AMC443624	PM-26-14	PLOMOSA MINING INC	155.00	14/0030N/0190W/026
AMC443625	PM-26-15	PLOMOSA MINING INC	155.00	14/0030N/0190W/026
AMC443626	PM-26-16	PLOMOSA MINING INC	155.00	14/0030N/0190W/026
AMC443627	PM-26-17	PLOMOSA MINING INC	155.00	14/0030N/0190W/026
AMC443628	PM-26-18	PLOMOSA MINING INC	155.00	14/0030N/0190W/026
AMC443629	PM-26-19	PLOMOSA MINING INC	155.00	14/0030N/0190W/026
AMC443630	PM-26-20	PLOMOSA MINING INC	155.00	14/0030N/0190W/026
AMC443631	PM-26-21	PLOMOSA MINING INC	155.00	14/0030N/0190W/026

PHOENIX, ARIZONA

2011 AUG 29 P 1:02

RECEIVED
PROPERTY OFFICE

Millennia Inc & Plomosa Mining Inc Maintenance fee list

AMC443632	PM-26-22	PLOMOSA MINING INC	155.00	14/0030N/0190W/026
AMC443633	PM-26-23	PLOMOSA MINING INC	155.00	14/0030N/0190W/026
AMC443634	PM-26-24	PLOMOSA MINING INC	155.00	14/0030N/0190W/026
AMC443635	PM-26-25	PLOMOSA MINING INC	155.00	14/0030N/0190W/026
AMC443636	PM-26-26	PLOMOSA MINING INC	155.00	14/0030N/0190W/026
AMC443637	PM-26-27	PLOMOSA MINING INC	155.00	14/0030N/0190W/026
AMC443638	PM-26-28	PLOMOSA MINING INC	155.00	14/0030N/0190W/026
AMC443639	PM-26-29	PLOMOSA MINING INC	155.00	14/0030N/0190W/026
AMC443640	PM-26-30	PLOMOSA MINING INC	155.00	14/0030N/0190W/026
AMC443641	PM-26-31	PLOMOSA MINING INC	155.00	14/0030N/0190W/026
AMC443642	PM-26-32	PLOMOSA MINING INC	155.00	14/0030N/0190W/026
AMC443643	PM-27-1	PLOMOSA MINING INC	155.00	14/0030N/0190W/027
AMC443644	PM-27-2	PLOMOSA MINING INC	155.00	14/0030N/0190W/027
AMC443645	PM-27-3	PLOMOSA MINING INC	155.00	14/0030N/0190W/027
AMC443646	PM-27-4	PLOMOSA MINING INC	155.00	14/0030N/0190W/027
AMC443647	PM-27-5	PLOMOSA MINING INC	155.00	14/0030N/0190W/027
AMC443648	PM-27-6	PLOMOSA MINING INC	155.00	14/0030N/0190W/027
AMC443649	PM-27-7	PLOMOSA MINING INC	155.00	14/0030N/0190W/027
AMC443650	PM-27-8	PLOMOSA MINING INC	155.00	14/0030N/0190W/027
AMC443651	PM-27-9	PLOMOSA MINING INC	155.00	14/0030N/0190W/027
AMC443652	PM-27-10	PLOMOSA MINING INC	155.00	14/0030N/0190W/027
AMC443653	PM-27-11	PLOMOSA MINING INC	155.00	14/0030N/0190W/027
AMC443654	PM-27-12	PLOMOSA MINING INC	155.00	14/0030N/0190W/027
AMC443655	PM-27-13	PLOMOSA MINING INC	155.00	14/0030N/0190W/027
AMC443656	PM-27-14	PLOMOSA MINING INC	155.00	14/0030N/0190W/027
AMC443657	PM-27-15	PLOMOSA MINING INC	155.00	14/0030N/0190W/027
AMC443658	PM-27-16	PLOMOSA MINING INC	155.00	14/0030N/0190W/027
AMC443659	PM-27-17	PLOMOSA MINING INC	155.00	14/0030N/0190W/027
AMC443660	PM-27-18	PLOMOSA MINING INC	155.00	14/0030N/0190W/027
AMC443661	PM-27-19	PLOMOSA MINING INC	155.00	14/0030N/0190W/027
AMC443662	PM-27-20	PLOMOSA MINING INC	155.00	14/0030N/0190W/027
AMC443663	PM-27-21	PLOMOSA MINING INC	155.00	14/0030N/0190W/027
AMC443664	PM-27-22	PLOMOSA MINING INC	155.00	14/0030N/0190W/027
AMC443665	PM-27-23	PLOMOSA MINING INC	155.00	14/0030N/0190W/027
AMC443666	PM-27-24	PLOMOSA MINING INC	155.00	14/0030N/0190W/027
AMC443667	PM-27-25	PLOMOSA MINING INC	155.00	14/0030N/0190W/027
AMC443668	PM-27-26	PLOMOSA MINING INC	155.00	14/0030N/0190W/027
AMC443669	PM-27-27	PLOMOSA MINING INC	155.00	14/0030N/0190W/027
AMC443670	PM-27-28	PLOMOSA MINING INC	155.00	14/0030N/0190W/027
AMC443671	PM-27-29	PLOMOSA MINING INC	155.00	14/0030N/0190W/027
AMC443672	PM-27-30	PLOMOSA MINING INC	155.00	14/0030N/0190W/027
AMC443673	PM-27-31	PLOMOSA MINING INC	155.00	14/0030N/0190W/027
AMC443674	PM-27-32	PLOMOSA MINING INC	155.00	14/0030N/0190W/027
AMC443675	PM-34-1	PLOMOSA MINING INC	155.00	14/0030N/0190W/034

PHOENIX, ARIZONA

2011 AUG 29 P 1:02

RECEIVED
STATE OFFICE

Millennia Inc & Plomosa Mining Inc Maintenance fee list

AMC443676	PM-34-2	PLOMOSA MINING INC	155.00	14/0030N/0190W/034
AMC443677	PM-34-3	PLOMOSA MINING INC	155.00	14/0030N/0190W/034
AMC443678	PM-34-4	PLOMOSA MINING INC	155.00	14/0030N/0190W/034
AMC443679	PM-34-5	PLOMOSA MINING INC	155.00	14/0030N/0190W/034
AMC443680	PM-34-6	PLOMOSA MINING INC	155.00	14/0030N/0190W/034
AMC443681	PM-34-7	PLOMOSA MINING INC	155.00	14/0030N/0190W/034
AMC443682	PM-34-8	PLOMOSA MINING INC	155.00	14/0030N/0190W/034
AMC443683	PM-34-9	PLOMOSA MINING INC	155.00	14/0030N/0190W/034
AMC443684	PM-34-10	PLOMOSA MINING INC	155.00	14/0030N/0190W/034
AMC443685	PM-34-11	PLOMOSA MINING INC	155.00	14/0030N/0190W/034
AMC443686	PM-34-12	PLOMOSA MINING INC	155.00	14/0030N/0190W/034
AMC443687	PM-34-13	PLOMOSA MINING INC	155.00	14/0030N/0190W/034
AMC443688	PM-34-14	PLOMOSA MINING INC	155.00	14/0030N/0190W/034
AMC443689	PM-34-15	PLOMOSA MINING INC	155.00	14/0030N/0190W/034
AMC443690	PM-34-16	PLOMOSA MINING INC	155.00	14/0030N/0190W/034
AMC443691	PM-34-17	PLOMOSA MINING INC	155.00	14/0030N/0190W/034
AMC443692	PM-34-18	PLOMOSA MINING INC	155.00	14/0030N/0190W/034
AMC443693	PM-34-19	PLOMOSA MINING INC	155.00	14/0030N/0190W/034
AMC443694	PM-34-20	PLOMOSA MINING INC	155.00	14/0030N/0190W/034
AMC443695	PM-34-21	PLOMOSA MINING INC	155.00	14/0030N/0190W/034
AMC443696	PM-34-22	PLOMOSA MINING INC	155.00	14/0030N/0190W/034
AMC443697	PM-34-23	PLOMOSA MINING INC	155.00	14/0030N/0190W/034
AMC443698	PM-34-24	PLOMOSA MINING INC	155.00	14/0030N/0190W/034
AMC443699	PM-34-25	PLOMOSA MINING INC	155.00	14/0030N/0190W/034
AMC443700	PM-34-26	PLOMOSA MINING INC	155.00	14/0030N/0190W/034
AMC443701	PM-34-27	PLOMOSA MINING INC	155.00	14/0030N/0190W/034
AMC443702	PM-34-28	PLOMOSA MINING INC	155.00	14/0030N/0190W/034
AMC443703	PM-34-29	PLOMOSA MINING INC	155.00	14/0030N/0190W/034
AMC443704	PM-34-30	PLOMOSA MINING INC	155.00	14/0030N/0190W/034
AMC443705	PM-34-31	PLOMOSA MINING INC	155.00	14/0030N/0190W/034
AMC443706	PM-34-32	PLOMOSA MINING INC	155.00	14/0030N/0190W/034
AMC443707	PM-35-1	PLOMOSA MINING INC	155.00	14/0030N/0190W/035
AMC443708	PM-35-2	PLOMOSA MINING INC	155.00	14/0030N/0190W/035
AMC443709	PM-35-3	PLOMOSA MINING INC	155.00	14/0030N/0190W/035
AMC443710	PM-35-4	PLOMOSA MINING INC	155.00	14/0030N/0190W/035
AMC443711	PM-35-5	PLOMOSA MINING INC	155.00	14/0030N/0190W/035
AMC443712	PM-35-6	PLOMOSA MINING INC	155.00	14/0030N/0190W/035
AMC443713	PM-35-7	PLOMOSA MINING INC	155.00	14/0030N/0190W/035
AMC443714	PM-35-8	PLOMOSA MINING INC	155.00	14/0030N/0190W/035
AMC443715	PM-35-9	PLOMOSA MINING INC	155.00	14/0030N/0190W/035
AMC443716	PM-35-10	PLOMOSA MINING INC	155.00	14/0030N/0190W/035
AMC443717	PM-35-11	PLOMOSA MINING INC	155.00	14/0030N/0190W/035
AMC443718	PM-35-12	PLOMOSA MINING INC	155.00	14/0030N/0190W/035
AMC443719	PM-35-13	PLOMOSA MINING INC	155.00	14/0030N/0190W/035

2011 AUG 29 P 1:02

RECEIVED
MILLINIA MINING INC
OFFICE

Millennia Inc & Plomosa Mining Inc Maintenance fee list

AMC443720	PM-35-14	PLOMOSA MINING INC	155.00	14/0030N/0190W/035
AMC443721	PM-35-15	PLOMOSA MINING INC	155.00	14/0030N/0190W/035
AMC443722	PM-35-16	PLOMOSA MINING INC	155.00	14/0030N/0190W/035
AMC443723	PM-35-17	PLOMOSA MINING INC	155.00	14/0030N/0190W/035
AMC443724	PM-35-18	PLOMOSA MINING INC	155.00	14/0030N/0190W/035
AMC443725	PM-35-19	PLOMOSA MINING INC	155.00	14/0030N/0190W/035
AMC443726	PM-35-20	PLOMOSA MINING INC	155.00	14/0030N/0190W/035
AMC443727	PM-35-21	PLOMOSA MINING INC	155.00	14/0030N/0190W/035
AMC443728	PM-35-22	PLOMOSA MINING INC	155.00	14/0030N/0190W/035
AMC443729	PM-35-23	PLOMOSA MINING INC	155.00	14/0030N/0190W/035
AMC443730	PM-35-24	PLOMOSA MINING INC	155.00	14/0030N/0190W/035
AMC443731	PM-35-25	PLOMOSA MINING INC	155.00	14/0030N/0190W/035
AMC443732	PM-35-26	PLOMOSA MINING INC	155.00	14/0030N/0190W/035
AMC443733	PM-35-27	PLOMOSA MINING INC	155.00	14/0030N/0190W/035
AMC443734	PM-35-28	PLOMOSA MINING INC	155.00	14/0030N/0190W/035
AMC443735	PM-35-29	PLOMOSA MINING INC	155.00	14/0030N/0190W/035
AMC443736	PM-35-30	PLOMOSA MINING INC	155.00	14/0030N/0190W/035
AMC443737	PM-35-31	PLOMOSA MINING INC	155.00	14/0030N/0190W/035
AMC443738	PM-35-32	PLOMOSA MINING INC	155.00	14/0030N/0190W/035

\$29,760.00+

\$39,680.00

Total Due for Millennia Mining & Plomosa Mining=\$64,480.00

96 405
29,760

234 2012

PHOENIX, ARIZONA

2011 AUG 29 P 1:02

RECEIVED
OFFICE

United States Department of the Interior
Bureau of Land Management
 DIV OF LANDS, MINRLS & ENERGY
 ONE N CENTRAL AVE
 PHOENIX, AZ 85004 -4427
 Phone: 602-417-9200

Receipt

No: 3964724

Transaction #: 4074599	
Date of Transaction: 08/29/2017	
CUSTOMER:	
MILLENNIA INC 11 VALORE DR NEWPORT BEACH, CA 92657-1523 US	

LINE #	QTY	DESCRIPTION	REMARKS	UNIT PRICE	TOTAL
1	1.00	LOCATABLE MINERALS / MINING CLAIMS- NOT NEW-UNADJUD, ONE AUTH NO. ONLY / MINING CLAIM MONEY RECEIVED CASES: AMC438198/\$64480.00	2018 MAINT/320	- n/a -	64480.00
TOTAL:					\$64,480.00

PAYMENT INFORMATION			
1	AMOUNT:	64480.00	POSTMARKED: N/A
	TYPE:	CHECK	RECEIVED: 08/29/2017
	CHECK NO:	1155	
	NAME:	MILLENNIA INC 11 VALORE DR NEWPORT BEACH CA 92657-1523 US	

REMARKS

This receipt was generated by the automated BLM Collections and Billing System and is a paper representation of a portion of the official electronic record contained therein.

Run Date: 09/14/16

Run Time: 01:48 PM

**DEPARTMENT OF THE INTERIOR
BUREAU OF LAND MANAGEMENT
MINING CLAIMS**

MC Maintenance Fees Paid Through the BLM Pay Portal

CBS Receipt: 3647393

Printed For Lead File # **AMC438849**

Agency Tracking ID: 1472576151

Assessment Year: 2017

Number of BLM Serial Nr: 22

Paid On: 08/30/2016

Total Amount Paid: \$6,820.00

Claim Name	BLM Serial No	Lead File No	Amount Paid
30-C3	AMC438448	AMC438422	\$310.00
30-C4	AMC438449	AMC438422	\$310.00
30-D	AMC438450	AMC438422	\$310.00
30-D2	AMC438451	AMC438422	\$310.00
30-D3	AMC438452	AMC438422	\$310.00
30-D4	AMC438453	AMC438422	\$310.00
35-A	AMC438849	AMC438849	\$310.00
35-A2	AMC438850	AMC438849	\$310.00
35-A3	AMC438851	AMC438849	\$310.00
35-A4	AMC438852	AMC438849	\$310.00
35-B	AMC438853	AMC438849	\$310.00
35-B2	AMC438854	AMC438849	\$310.00
35-B3	AMC438855	AMC438849	\$310.00
35-B4	AMC438856	AMC438849	\$310.00
35-C	AMC438857	AMC438849	\$310.00
35-C2	AMC438858	AMC438849	\$310.00
35-C3	AMC438859	AMC438849	\$310.00
35-C4	AMC438860	AMC438849	\$310.00
35-D	AMC438861	AMC438849	\$310.00
35-D2	AMC438862	AMC438849	\$310.00
35-D3	AMC438863	AMC438849	\$310.00
35-D4	AMC438864	AMC438849	\$310.00

United States Department of the Interior
Bureau of Land Management
 BUSINESS & SUPPORT SVCS DIV
 ONE N CENTRAL AVE SUITE 800
 PHOENIX, AZ 85004 -4427
 Phone: (602) 417-9200

Receipt

No: 3647393

Transaction #: 3751380	
Date of Transaction: 08/30/2016	
CUSTOMER:	
STEPHEN MARTINDALE 518 36TH STREET NEWPORT BEACH, CA 92663 US	

LINE #	QTY	DESCRIPTION	REMARKS	UNIT PRICE	TOTAL
1	1.00	LOCATABLE MINERALS / MINING CLAIMS- NOT NEW-UNADJUD, ONE AUTH NO. ONLY / MINING CLAIM MONEY RECEIVED CASES: AMC438451/\$6820.00		- n/a -	6820.00
TOTAL:					\$6,820.00

PAYMENT INFORMATION			
NOTE: Items will appear on credit card statement as "BLM O Mining Claim".			
1	AMOUNT:	6820.00	POSTMARKED: N/A
	TYPE:	CREDIT CARD	RECEIVED: 08/30/2016
	NAME:	STEPHEN MARTINDALE 518 36TH STREET NEWPORT BEACH CA 92663 US	
	CARD NO:	XXXXXXXXXXXX8149	AUTH CODE: 391858
	NAME ON CARD:	STEPHEN MARTINDALE	
	EXPIRES:	02/2020	
	SIGNATURE:		

REMARKS

This receipt was generated by the automated BLM Collections and Billing System and is a paper representation of a portion of the official electronic record contained therein.

NOTICE!!

These documents have been scanned!

Do not place un-scanned documents beneath this notice!

Do not remove this notice from this file!

GPO Jacket No. 560-102
Print Order 61540
Rise Business Services, LLC
Job=AZ15 6/24/2019



Box Number= AZ15126



Claim Begin-End: AMC438849-AMC438864

5 Miscellaneous



AZ15126-14

AMC428281-AMC452898

**NO
DOCUMENTS
FOUND**

NO DOCUMENTS FOUND
NO DOCUMENTS FOUND

NOTICE!!

These documents have been scanned!

Do not place un-scanned documents beneath this notice!

Do not remove this notice from this file!

GPO Jacket No. 560-102
Print Order 61540
Rise Business Services, LLC
Job=AZ15 6/24/2019



Box Number= AZ15126



Claim Begin-End: AMC438849-AMC438864

6 Location Notices-Amendments and Supporting Documents



AZ15126-14

AMC428281-AMC452898

MINING CLAIM STATUS REPORT

Data Entered: 27 Jul 16

MTP Checked By: _____
GEO Checked By: _____

LEAD SERIAL NUMBER: AMC 438849 thru AMC 438864

NUMBER OF CLAIMS & TYPE:

____ LODGE
____ PLACER
16 ASSOCIATION PLACER
____ MILL SITE
____ TUNNEL SITE

CHARGES:

Location Fee @ \$37 = \$ 592.00
Processing Fee @ \$20 = \$ 320.00
Maintenance Fee @ \$155 = \$ 2480.00
Add'l Maint Fee for Assoc Placer = \$ 2480.00
SUBTOTAL \$ 5872.00
Other Fees \$ _____
Other Fees \$ _____
TOTAL \$ 5872.00

TOTAL ACREAGE: 40 Per Claim
(Placer Only)

NUMBER OF LOCATORS: 2

DOCUMENTS RECEIVED VIA : Over-the-Counter [] Mail [] **TIMELY FILED:** Yes [] No []

LEGAL DESCRIPTION: T 3N R 18W SEC 35
T _____ R _____ SEC _____
T _____ R _____ SEC _____
T _____ R _____ SEC _____
T _____ R _____ SEC _____

BLM [] FOREST SERVICE [] _____ SUBJ TO PL 359: Yes [] No []
WILDERNESS AREA [] _____

SPLIT ESTATE: N/A [] SX [] PX [] OTHER [] _____
SRHA [] Was proper Notice filed if located on SHRA Land? Yes [] No []

RECONVEYED MINERALS ON BLM LAND REQUIRE OPENING ORDER FROM 1944 TO 1993:

Open to Entry On _____ N/A []

COMMENTS/STATUS: VOID [] PARTIALLY VOID [] PVT MINERALS [] WITHDRAWN LANDS []
OTHER [] _____

[] Claimant acknowledges that portions of the following claim(s) site(s) may be void or voidable.

Printed Name of Claimant _____ Signature of Claimant _____

*****FINAL ADJUDICATION*****

DATE 2/22/17 INITIALS PR

AMC 438849

County Recorder Space:

Millennia, Inc.
518 36TH Street
Newport Beach, CA 92663
(410)262-9260

LOCATION NOTICE PLACER MINING CLAIM

NOTICE IS HEREBY GIVEN that the **35-A** placer mining claim has been

Located by Grand Canyon Gold Corp, whose current mailing address is; 16772 W. Bell RD #110-417, Surprise, AZ 85374, and Millennia, Inc. whose current mailing address is: 518 36TH Street, Newport Beach, California 92663

The general course of the claim is east to west and is situated in La Paz County, Arizona.

This claim is 1320' feet in length and 1320' feet in width. This claim runs from the location monument on which this location notice is posted. This claim is marked by four monuments, one at each corner of the claim. The location monument on which this Notice is posted is situated within:


Township 3 North, Range 18 West, Section 35, Quarter Section: NW ¼ NW ¼

La Paz County, Arizona. Gila & Salt River Base and Meridian. This claim is 40 acres in size.

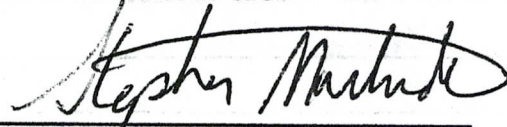
The locality of this claim with reference to some natural object or permanent monument and additional information (if any) concerning its locality is as follows: Section Marker and natural stone with wood post.

Dated and posted on the ground this 15TH day of May, 2016.

Grand Canyon Gold Corp:


Panos D. Gianniotis-CEO

Millennia, Inc.:


Stephen Martindale-CEO

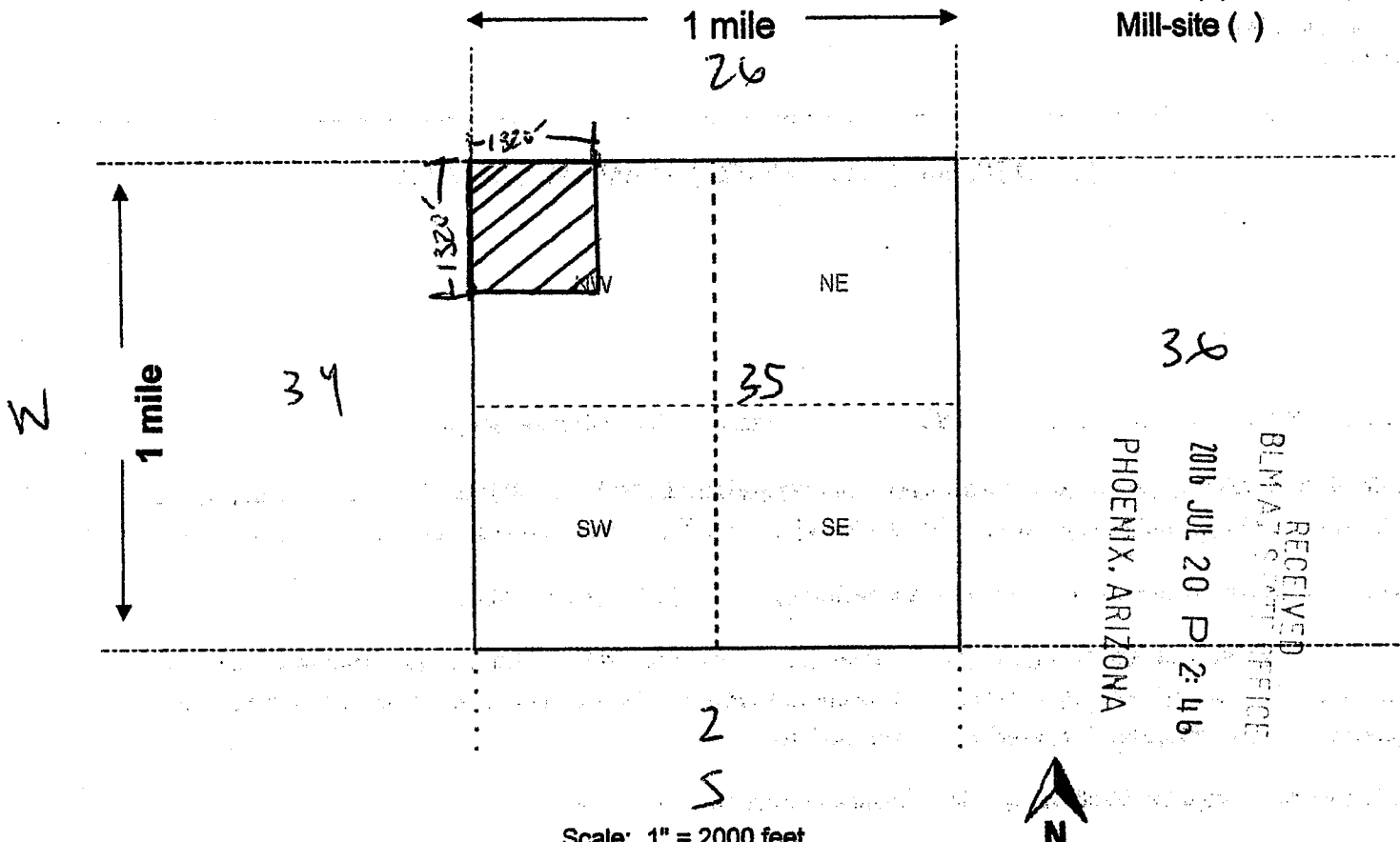
RECEIVED
BLM AZ STATE OFFICE
2016 JUL 20 P 2:42
PHOENIX, ARIZONA

AMC 438849

Map on reverse side

N
MINING CLAIM MAP

Lode () Placer (X)
Mill-site ()



- The above map depicts the 35-A mining claim, which is located in Section (s) 35, Township 3N, Range 18W, Gila and Salt River Base and Meridian, LA PAZ County, Arizona. Total claim acreage is 40.
- The type of corner and location monuments used are as follows: 2X2 WOODPOST
- The bearings and distances in degrees and feet between claim corners and to a public land survey monument are as depicted on the map.
- If the claim is a placer or mill-site claim with exterior limits conforming to legal subdivisions of the public survey, provide a legal description of the claim NW¹/₄ NW¹/₄

AMC 438849

County Recorder Space:

Millennia, Inc.
518 36TH Street
Newport Beach, CA 92663
(410)262-9260

LOCATION NOTICE PLACER MINING CLAIM

NOTICE IS HEREBY GIVEN that the **35-A2** placer mining claim has been

Located by Grand Canyon Gold Corp, whose current mailing address is; 16772 W. Bell RD #110-417, Surprise, AZ 85374, and Millennia, Inc. whose current mailing address is: 518 36TH Street, Newport Beach, California 92663

The general course of the claim is east to west and is situated in La Paz County, Arizona.

This claim is 1320' feet in length and 1320' feet in width. This claim runs from the location monument on which this location notice is posted. This claim is marked by four monuments, one at each corner of the claim. The location monument on which this Notice is posted is situated within:

Township 3 North, Range 18 West, Section 35, Quarter Section: NE ¼ NW ¼

La Paz County, Arizona. Gila & Salt River Base and Meridian. This claim is 40 acres in size.

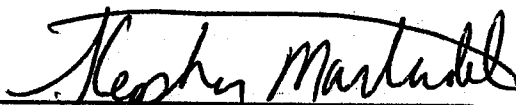
The locality of this claim with reference to some natural object or permanent monument and additional information (if any) concerning its locality is as follows: Section Marker and natural stone with wood post.

Dated and posted on the ground this 15TH day of May, 2016.

Grand Canyon Gold Corp:


Panos D. Gianniotis-CEO

Millennia, Inc.:


Stephen Martindale-CEO

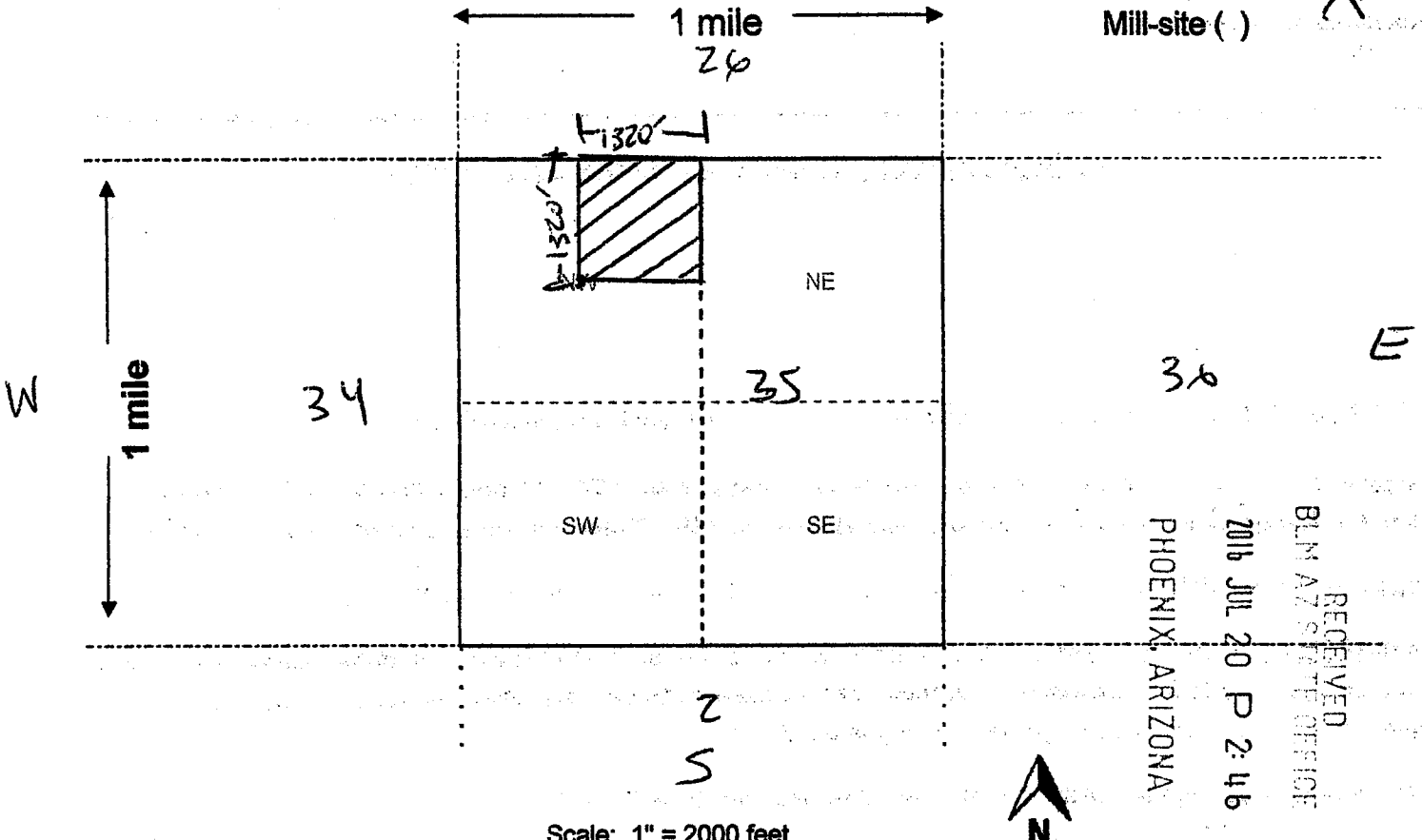
RECEIVED
BLM AZ STATE OFFICE
2016 JUL 20 P 2:42
PHOENIX, ARIZONA

AMC 438850

Map on reverse side

MINING CLAIM MAP

Lode () Placer (X)
 Mill-site ()



RECEIVED
 BLM AZ STATE OFFICE
 2016 JUL 20 P 2:46
 PHOENIX, ARIZONA

Scale: 1" = 2000 feet

- The above map depicts the 35-AZ mining claim, which is located in Section (s) 35, Township 3N, Range 18W, Gila and Salt River Base and Meridian, LA PAZ County, Arizona. Total claim acreage is 40.
- The type of corner and location monuments used are as follows: 2x2 WOOD POST
- The bearings and distances in degrees and feet between claim corners and to a public land survey monument are as depicted on the map.
- If the claim is a placer or mill-site claim with exterior limits conforming to legal subdivisions of the public survey, provide a legal description of the claim NE 1/4 NW 1/4

ANCU38850

County Recorder Space:

Millennia, Inc.
518 36TH Street
Newport Beach, CA 92663
(410)262-9260

LOCATION NOTICE PLACER MINING CLAIM

NOTICE IS HEREBY GIVEN that the **35-A3** placer mining claim has been

Located by Grand Canyon Gold Corp, whose current mailing address is; 16772 W. Bell RD #110-417, Surprise, AZ 85374, and Millennia, Inc. whose current mailing address is: 518 36TH Street, Newport Beach, California 92663

The general course of the claim is east to west and is situated in La Paz County, Arizona.

This claim is 1320' feet in length and 1320' feet in width. This claim runs from the location monument on which this location notice is posted. This claim is marked by four monuments, one at each corner of the claim. The location monument on which this Notice is posted is situated within:

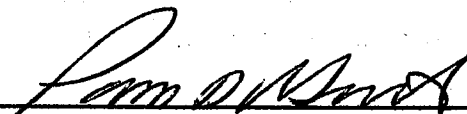
Township 3 North, Range 18 West, Section 35, Quarter Section: SE ¼ NW ¼

La Paz County, Arizona. Gila & Salt River Base and Meridian. This claim is 40 acres in size.


The locality of this claim with reference to some natural object or permanent monument and additional information (if any) concerning its locality is as follows: Section Marker and natural stone with wood post.

Dated and posted on the ground this 15TH day of May, 2016.

Grand Canyon Gold Corp:


Panos D. Gianniotis-CEO

Millennia, Inc.:


Stephen Martindale-CEO

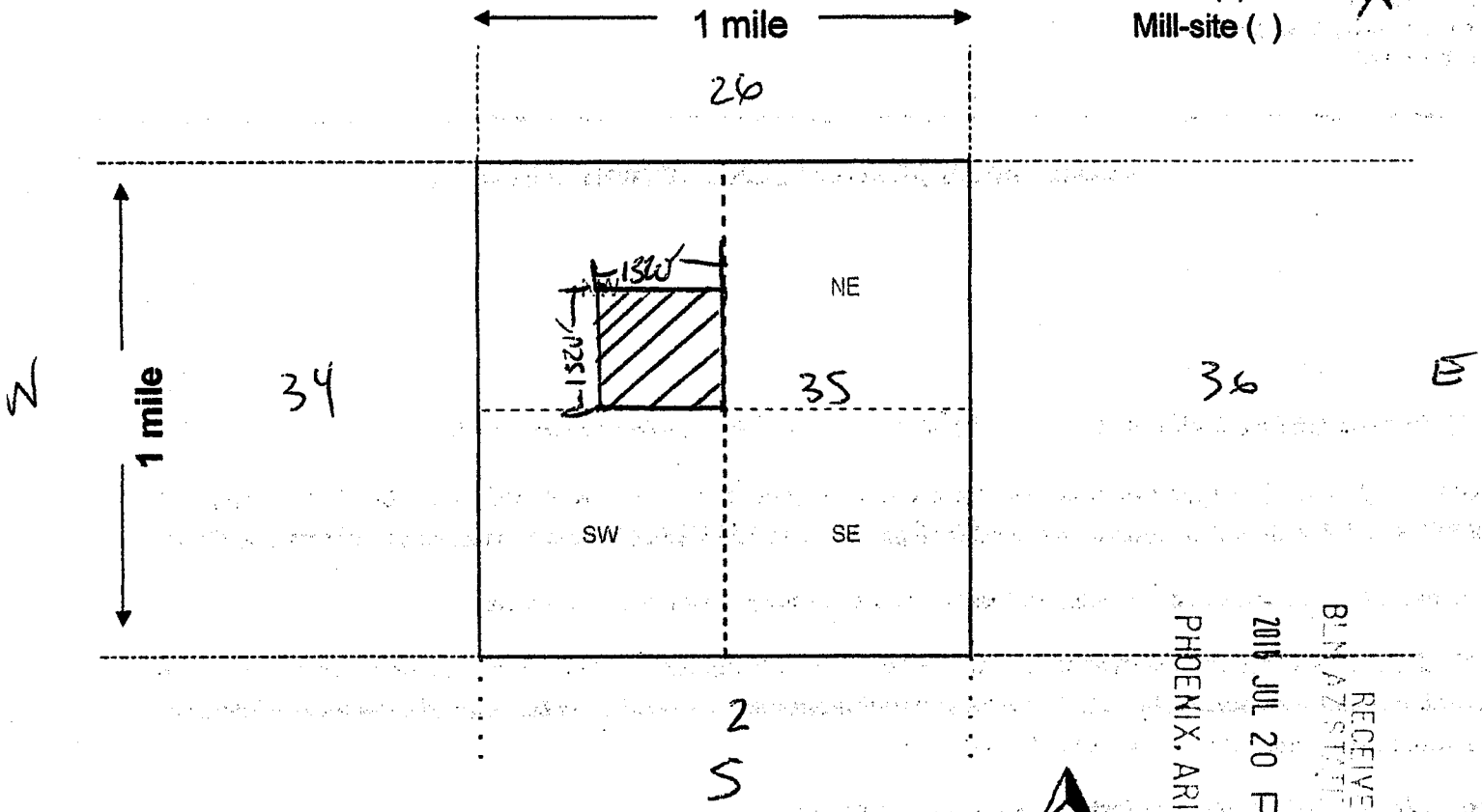
RECEIVED
BLM AZ STATE OFFICE
2016 JUL 20 P 2:42
PHOENIX, ARIZONA

AMC 438851

Map on reverse side

MINING CLAIM MAP

Lode () Placer
 Mill-site ()



Scale: 1" = 2000 feet

1. The above map depicts the 35-A3 mining claim, which is located in Section (s) 35, Township 3N, Range 18W, Gila and Salt River Base and Meridian, LA PAZ County, Arizona. Total claim acreage is 40

2. The type of corner and location monuments used are as follows: 2x2WOOD POST

3. The bearings and distances in degrees and feet between claim corners and to a public land survey monument are as depicted on the map.

4. If the claim is a placer or mill-site claim with exterior limits conforming to legal subdivisions of the public survey, provide a legal description of the claim SE 1/4 NW 1/4

RECEIVED
 BLM AZ STATE OFFICE
 2018 JUL 20 P 2:48
 PHOENIX, ARIZONA

AMC 438851

County Recorder Space:

Millennia, Inc.
518 36TH Street
Newport Beach, CA 92663
(410)262-9260

LOCATION NOTICE PLACER MINING CLAIM

NOTICE IS HEREBY GIVEN that the **35-A4** placer mining claim has been

Located by Grand Canyon Gold Corp, whose current mailing address is: 16772 W. Bell RD #110-417, Surprise, AZ 85374, and Millennia, Inc. whose current mailing address is: 518 36TH Street, Newport Beach, California 92663

The general course of the claim is east to west and is situated in La Paz County, Arizona.

This claim is 1320' feet in length and 1320' feet in width. This claim runs from the location monument on which this location notice is posted. This claim is marked by four monuments, one at each corner of the claim. The location monument on which this Notice is posted is situated within:


Township 3 North, Range 18 West, Section 35, Quarter Section: SW ¼ NW ¼

La Paz County, Arizona. Gila & Salt River Base and Meridian. This claim is 40 acres in size.

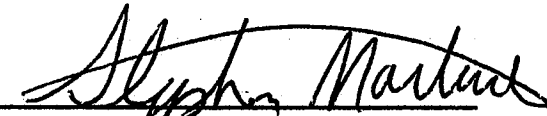
The locality of this claim with reference to some natural object or permanent monument and additional information (if any) concerning its locality is as follows: Section Marker and natural stone with wood post.

Dated and posted on the ground this 15TH day of May, 2016.

Grand Canyon Gold Corp:


Panos D. Giannetis-CEO

Millennia, Inc.:


Stephen Martindale-CEO

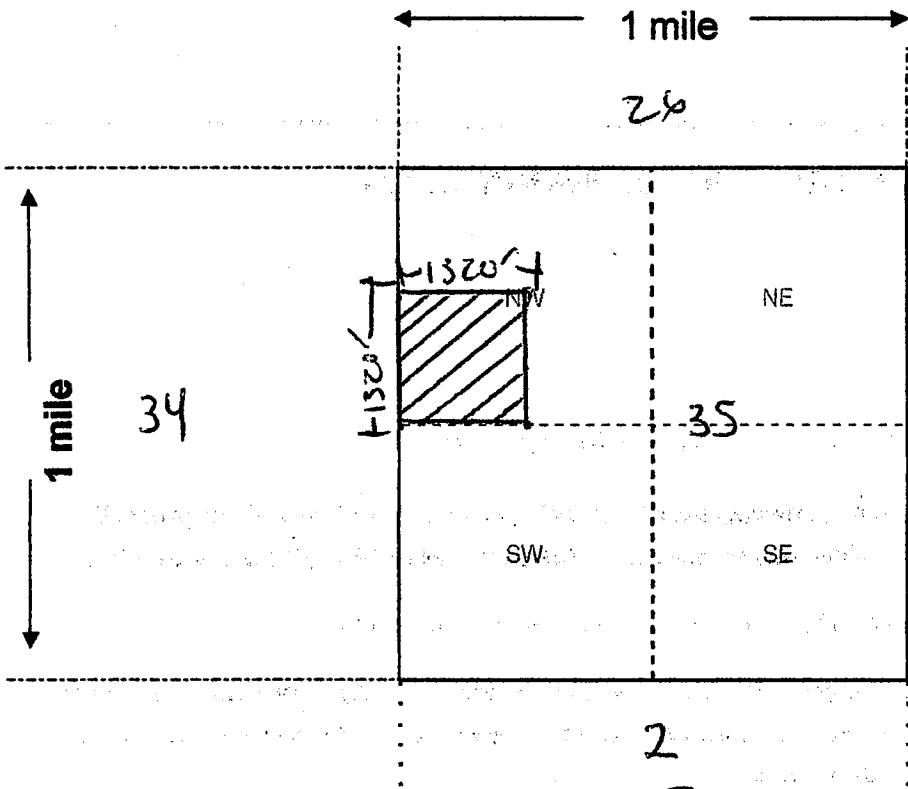
AMC 438852

RECEIVED
BLM AND STATE OFFICE
PHOENIX, ARIZONA
2016 JUL 20 P 2:42

Map on reverse side

N
MINING CLAIM MAP

Lode () Placer (X)
Mill-site ()



Scale: 1" = 2000 feet

1. The above map depicts the 35-A4 mining claim, which is located in Section (s) 35, Township 3N, Range 18W, Gila and Salt River Base and Meridian, LA PAZ County, Arizona. Total claim acreage is 40

2. The type of corner and location monuments used are as follows: 2x2 WOOD POST

3. The bearings and distances in degrees and feet between claim corners and to a public land survey monument are as depicted on the map.

4. If the claim is a placer or mill-site claim with exterior limits conforming to legal subdivisions of the public survey, provide a legal description of the claim SW 1/4 NW 1/4

RECEIVED
BLM AUSTIN OFFICE
2016 JUL 20 P 2:46
PHOENIX, ARIZONA

AMC 438852

County Recorder Space:

Millennia, Inc.
518 36TH Street
Newport Beach, CA 92663
(410)262-9260

LOCATION NOTICE PLACER MINING CLAIM

NOTICE IS HEREBY GIVEN that the **35-B** placer mining claim has been

Located by Grand Canyon Gold Corp, whose current mailing address is; 16772 W. Bell RD #110-417, Surprise, AZ 85374, and Millennia, Inc. whose current mailing address is: 518 36TH Street, Newport Beach, California 92663

The general course of the claim is east to west and is situated in La Paz County, Arizona.

This claim is 1320' feet in length and 1320' feet in width. This claim runs from the location monument on which this location notice is posted. This claim is marked by four monuments, one at each corner of the claim. The location monument on which this Notice is posted is situated within:

Township 3 North, Range 18 West, Section 35, Quarter Section: NW ¼ NE ¼

La Paz County, Arizona. Gila & Salt River Base and Meridian. This claim is 40 acres in size.


The locality of this claim with reference to some natural object or permanent monument and additional information (if any) concerning its locality is as follows: Section Marker and natural stone with wood post.

Dated and posted on the ground this 15TH day of May, 2016.

Grand Canyon Gold Corp:


Panos D. Gianniotis-CEO

Millennia, Inc.:


Stephen Marindale-CEO

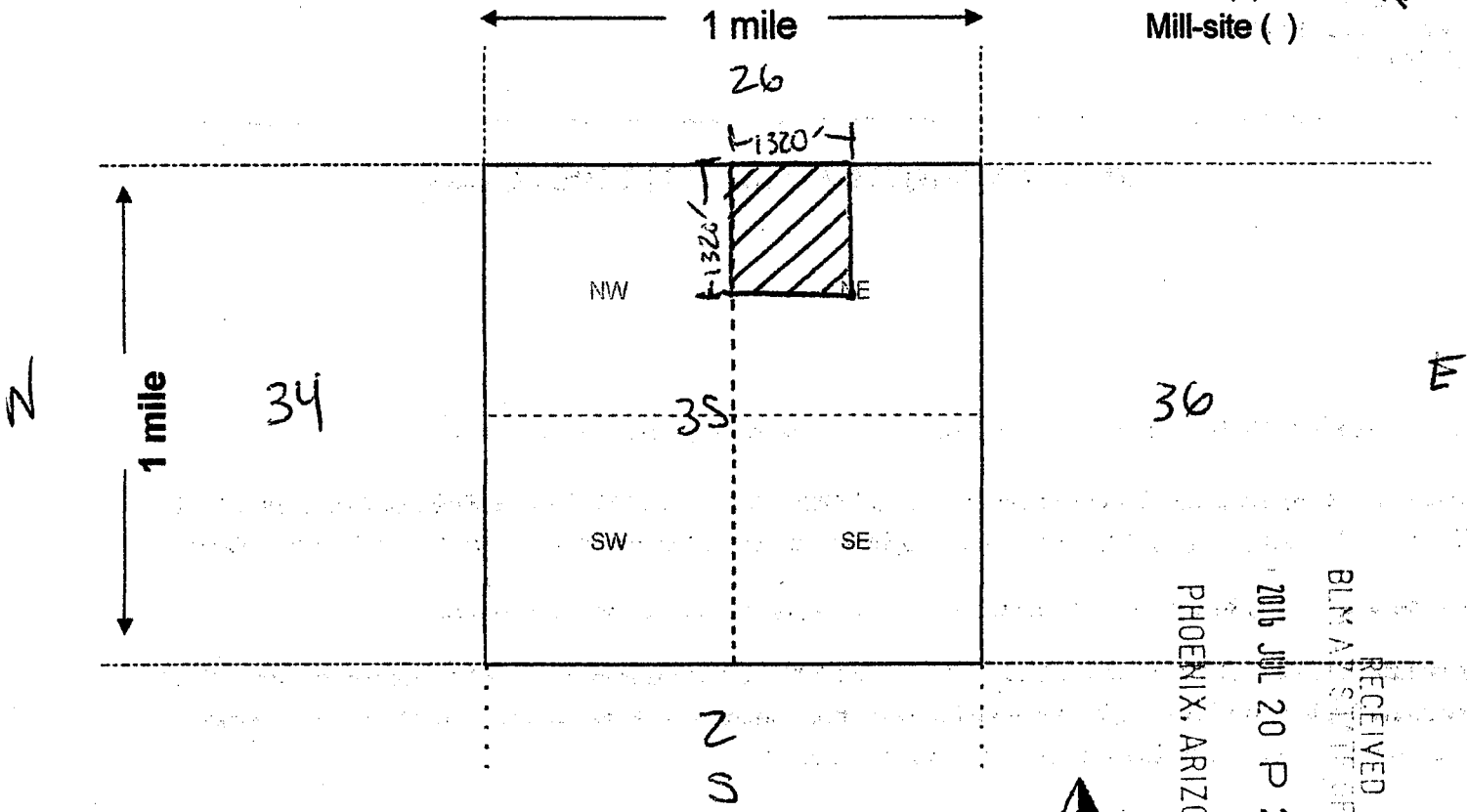
RECEIVED
BLM AZ STATE OFFICE
2016 JUL 20 P 2:42
PHOENIX, ARIZONA

AMC 438853

Map on reverse side

MINING CLAIM MAP

Lode () Placer
 Mill-site ()



RECEIVED
 BLM ARIZONA STATE OFFICE
 2016 JUL 20 P 2:45
 PHOENIX, ARIZONA

AMC 438853

Scale: 1" = 2000 feet

- The above map depicts the 35-B mining claim, which is located in Section (s) 35, Township 3N, Range 18W, Gila and Salt River Base and Meridian, LA PAZ County, Arizona. Total claim acreage is 40.
- The type of corner and location monuments used are as follows: 2x2 WOOD POST
- The bearings and distances in degrees and feet between claim corners and to a public land survey monument are as depicted on the map.
- If the claim is a placer or mill-site claim with exterior limits conforming to legal subdivisions of the public survey, provide a legal description of the claim NW 1/4 NE 1/4

County Recorder Space:

Millennia, Inc.
518 36TH Street
Newport Beach, CA 92663
(410)262-9260

LOCATION NOTICE PLACER MINING CLAIM

NOTICE IS HEREBY GIVEN that the **35-B2** placer mining claim has been

Located by Grand Canyon Gold Corp, whose current mailing address is; 16772 W. Bell RD #110-417, Surprise, AZ 85374, and Millennia, Inc. whose current mailing address is: 518 36TH Street, Newport Beach, California 92663

The general course of the claim is east to west and is situated in La Paz County, Arizona.

This claim is 1320' feet in length and 1320' feet in width. This claim runs from the location monument on which this location notice is posted. This claim is marked by four monuments, one at each corner of the claim. The location monument on which this Notice is posted is situated within:

Township 3 North, Range 18 West, Section 35, Quarter Section: NE ¼ NE ¼

La Paz County, Arizona. Gila & Salt River Base and Meridian. This claim is 40 acres in size.

The locality of this claim with reference to some natural object or permanent monument and additional information (if any) concerning its locality is as follows: Section Marker and natural stone with wood post.

Dated and posted on the ground this 15TH day of May, 2016.

Grand Canyon Gold Corp: 
Panos D. Giannetos-CEO

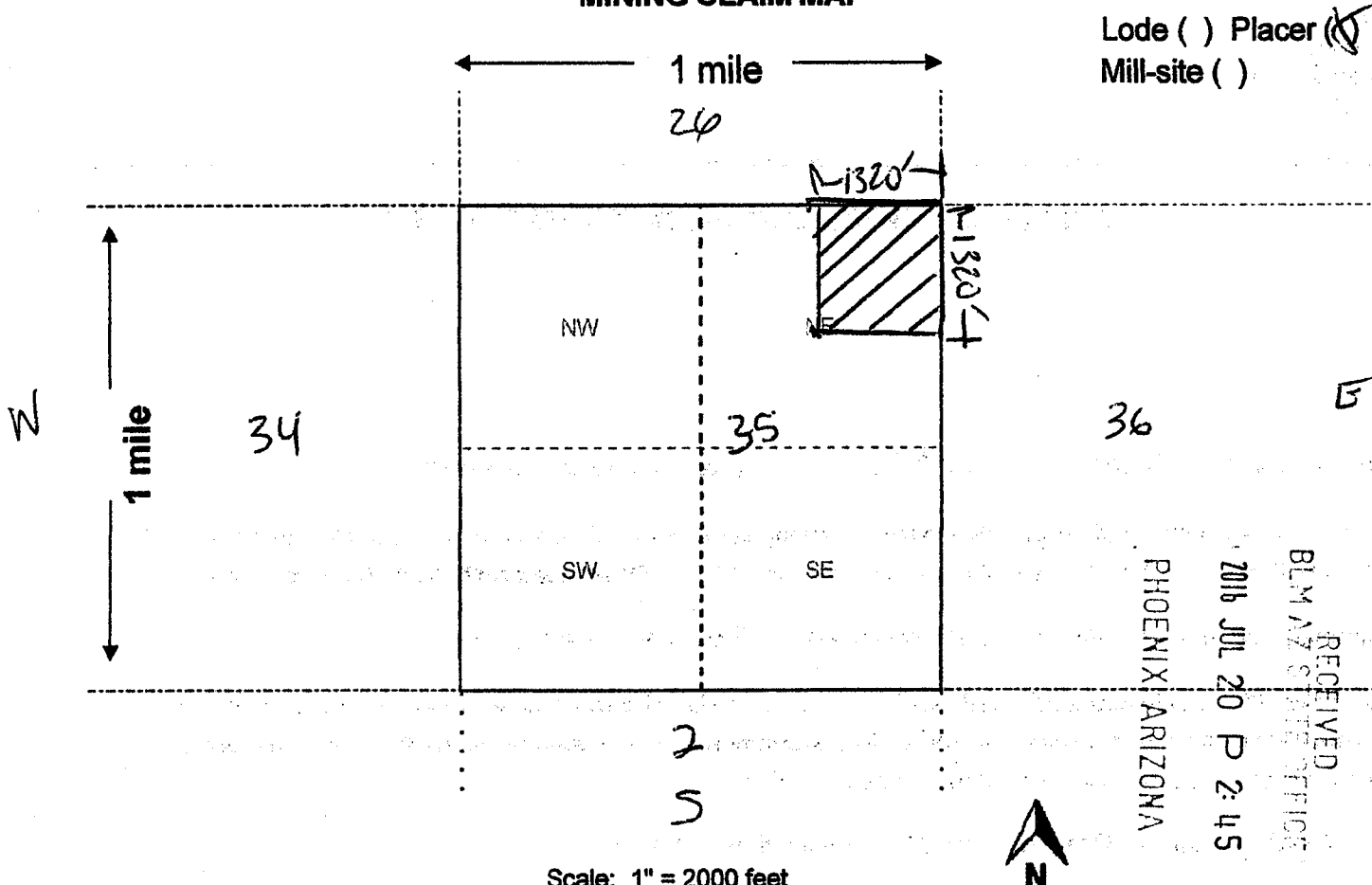
Millennia, Inc.: 
Stephen Martindale-CEO

RECEIVED
BLM AZ STATE OFFICE
2016 JUL 20 P 2:43
PHOENIX, ARIZONA

AMC438854

Map on reverse side

MINING CLAIM MAP



Scale: 1" = 2000 feet

1. The above map depicts the 35-82 mining claim, which is located in Section (s) 35, Township 3N, Range 18W, Gila and Salt River Base and Meridian, LA PAZ County, Arizona. Total claim acreage is 40
2. The type of corner and location monuments used are as follows: 2X2 WOOD POST
3. The bearings and distances in degrees and feet between claim corners and to a public land survey monument are as depicted on the map.
4. If the claim is a placer or mill-site claim with exterior limits conforming to legal subdivisions of the public survey, provide a legal description of the claim NE 1/4 NE 1/4

AMC438854

County Recorder Space:

Millennia, Inc.
518 36TH Street
Newport Beach, CA 92663
(410)262-9260

LOCATION NOTICE PLACER MINING CLAIM

NOTICE IS HEREBY GIVEN that the **35-B3** placer mining claim has been

Located by Grand Canyon Gold Corp, whose current mailing address is; 16772 W. Bell RD #110-417, Surprise, AZ 85374, and Millennia, Inc. whose current mailing address is: 518 36TH Street, Newport Beach, California 92663

The general course of the claim is east to west and is situated in La Paz County, Arizona.

This claim is 1320' feet in length and 1320' feet in width. This claim runs from the location monument on which this location notice is posted. This claim is marked by four monuments, one at each corner of the claim. The location monument on which this Notice is posted is situated within:

Township 3 North, Range 18 West, Section 35, Quarter Section: SE ¼ NE ¼

La Paz County, Arizona. Gila & Salt River Base and Meridian. This claim is 40 acres in size.

The locality of this claim with reference to some natural object or permanent monument and additional information (if any) concerning its locality is as follows: Section Marker and natural stone with wood post.

Dated and posted on the ground this 15TH day of May, 2016.

Grand Canyon Gold Corp: 
Panos D. Giannetis-CEO

Millennia, Inc.: 
Stephen Martindale-CEO

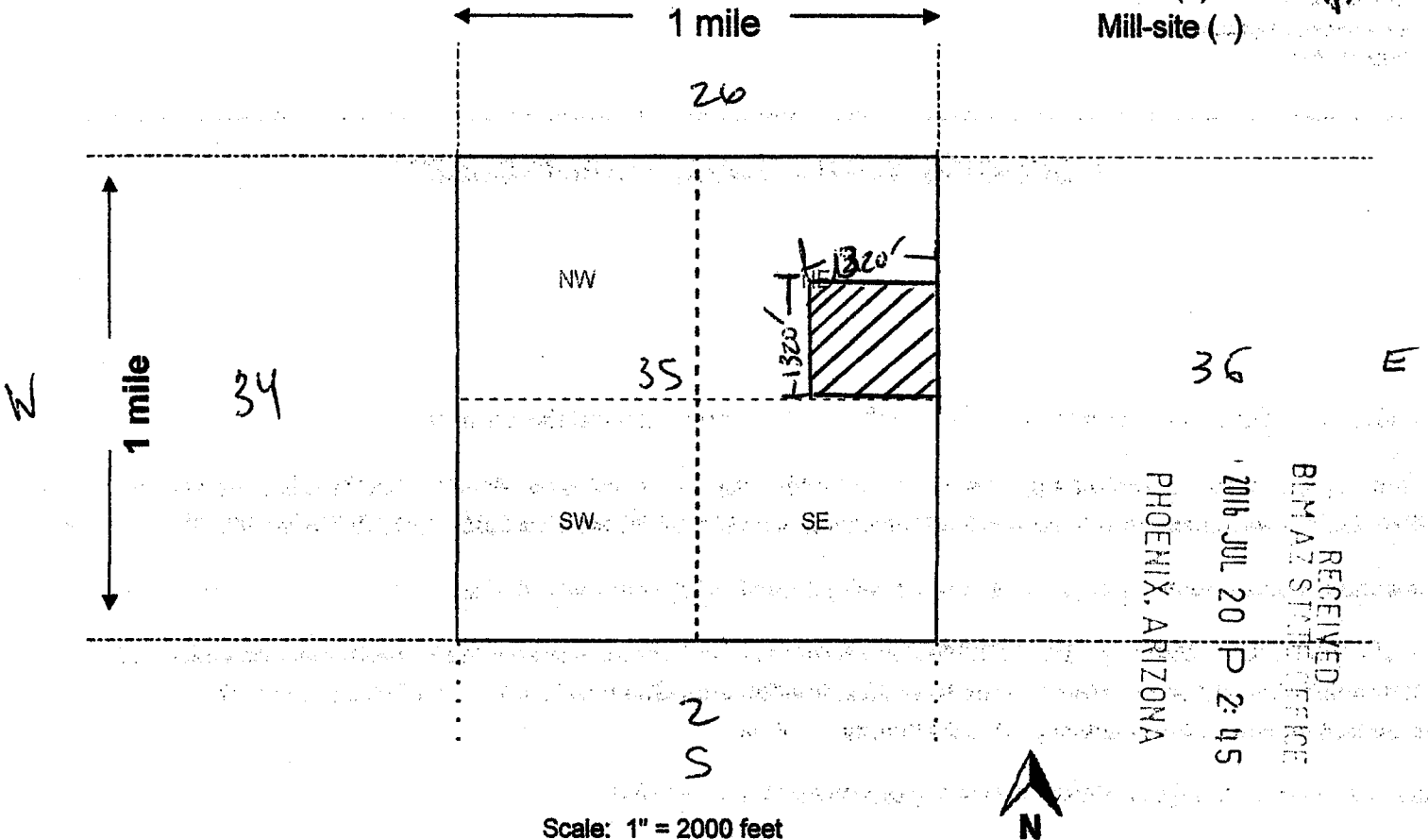
RECEIVED
BLM AZ STATE OFFICE
2016 JUL 20 P 2:43
PHOENIX, ARIZONA

AMC 438855

Map on reverse side

MINING CLAIM MAP

Lode () Placer (X)
Mill-site (-)



RECEIVED
BLM AZ STATE OFFICE
PHOENIX, ARIZONA
2016 JUL 20 P 2:45

Scale: 1" = 2000 feet

1. The above map depicts the 35-B3 mining claim, which is located in Section (s) 35, Township 3N, Range 18W, Gila and Salt River Base and Meridian, LA PAZ County, Arizona. Total claim acreage is 40

2. The type of corner and location monuments used are as follows: 2x2 WOOD POST

3. The bearings and distances in degrees and feet between claim corners and to a public land survey monument are as depicted on the map.

4. If the claim is a placer or mill-site claim with exterior limits conforming to legal subdivisions of the public survey, provide a legal description of the claim SE 1/4 NE 1/4

AM0438855

County Recorder Space:

Millennia, Inc.
518 36TH Street
Newport Beach, CA 92663
(410)262-9260

LOCATION NOTICE PLACER MINING CLAIM

NOTICE IS HEREBY GIVEN that the **35-B4** placer mining claim has been

Located by Grand Canyon Gold Corp, whose current mailing address is; 16772 W. Bell RD #110-417, Surprise, AZ 85374, and Millennia, Inc. whose current mailing address is: 518 36TH Street, Newport Beach, California 92663

The general course of the claim is east to west and is situated in La Paz County, Arizona.

This claim is 1320' feet in length and 1320' feet in width. This claim runs from the location monument on which this location notice is posted. This claim is marked by four monuments, one at each corner of the claim. The location monument on which this Notice is posted is situated within:


Township 3 North, Range 18 West, Section 35, Quarter Section: SW ¼ NE ¼

La Paz County, Arizona. Gila & Salt River Base and Meridian. This claim is 40 acres in size.

The locality of this claim with reference to some natural object or permanent monument and additional information (if any) concerning its locality is as follows: Section Marker and natural stone with wood post.

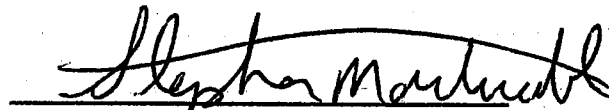
Dated and posted on the ground this 15TH day of May, 2016.

Grand Canyon Gold Corp:



Panos D. Giannetotis-CEO

Millennia, Inc.:



Stephen Martindale-CEO

RECEIVED
BLM AZ STATE OFFICE
2016 JUL 20 P 2:43
PHOENIX, ARIZONA

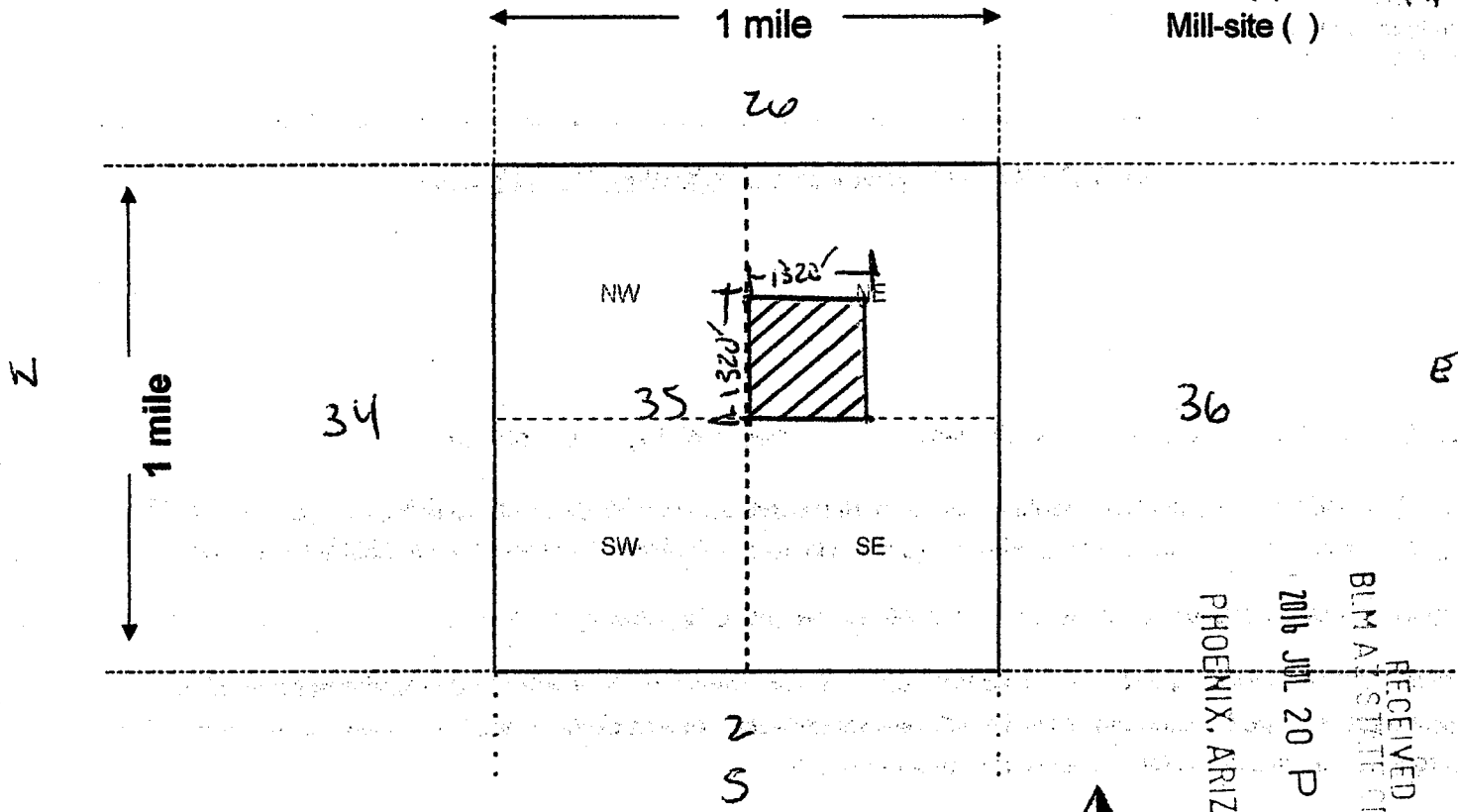
AMC438856

Map on reverse side

N

MINING CLAIM MAP

Lode () Placer (X)
Mill-site ()



Scale: 1" = 2000 feet



RECEIVED
BLM AT STATE OFFICE
PHOENIX, ARIZONA
2016 JUL 20 P 2:45

AMC 438856

- The above map depicts the 35-B4 mining claim, which is located in Section (s) 35, Township 3N, Range 18W, Gila and Salt River Base and Meridian, LA PAZ County, Arizona. Total claim acreage is 40.
- The type of corner and location monuments used are as follows: 2x2 WOOD POST
- The bearings and distances in degrees and feet between claim corners and to a public land survey monument are as depicted on the map.
- If the claim is a placer or mill-site claim with exterior limits conforming to legal subdivisions of the public survey, provide a legal description of the claim SW 1/4 NE 1/4

County Recorder Space:

Millennia, Inc.
518 36TH Street
Newport Beach, CA 92663
(410)262-9260

LOCATION NOTICE PLACER MINING CLAIM

NOTICE IS HEREBY GIVEN that the **35-C** placer mining claim has been

Located by Grand Canyon Gold Corp, whose current mailing address is; 16772 W. Bell RD #110-417, Surprise, AZ 85374, and Millennia, Inc. whose current mailing address is: 518 36TH Street, Newport Beach, California 92663

The general course of the claim is east to west and is situated in La Paz County, Arizona.

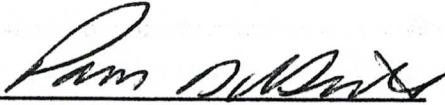
This claim is 1320' feet in length and 1320' feet in width. This claim runs from the location monument on which this location notice is posted. This claim is marked by four monuments, one at each corner of the claim. The location monument on which this Notice is posted is situated within:

Township 3 North, Range 18 West, Section 35, Quarter Section: NW ¼ SE ¼

La Paz County, Arizona. Gila & Salt River Base and Meridian. This claim is 40 acres in size.

The locality of this claim with reference to some natural object or permanent monument and additional information (if any) concerning its locality is as follows: Section Marker and natural stone with wood post.

Dated and posted on the ground this 15TH day of May, 2016.

Grand Canyon Gold Corp: 
Panos D. Gianniotis-CEO

Millennia, Inc.: 
Stephen Martindale-CEO

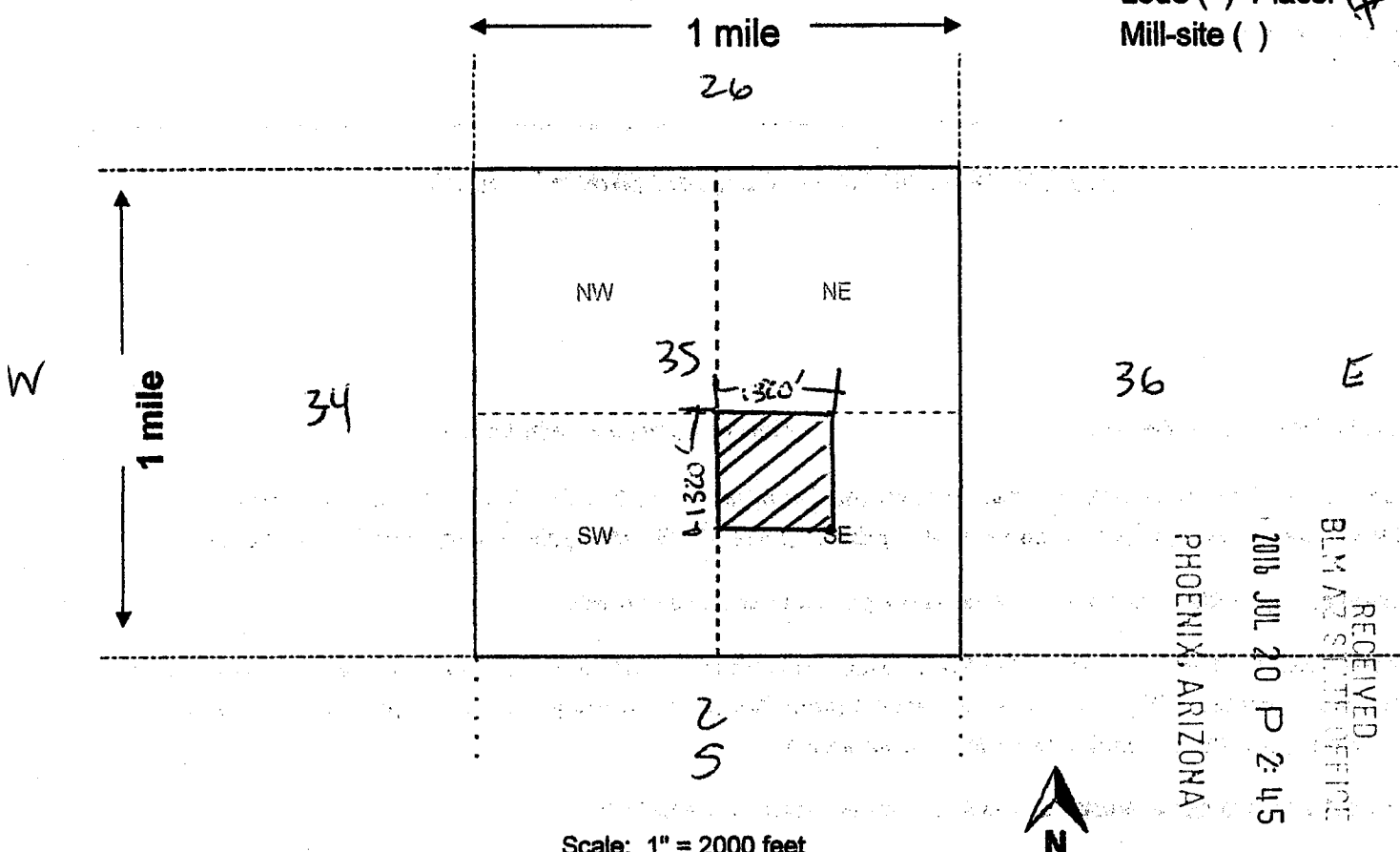
RECEIVED
BLM AZ STATE OFFICE
2016 JUL 20 P 2:43
PHOENIX, ARIZONA

AMC438857

Map on reverse side

MINING CLAIM MAP

Lode () Placer (H)
Mill-site ()



RECEIVED
 BLM AZ STATE OFFICE
 2016 JUL 20 P 2:45
 PHOENIX, ARIZONA

Scale: 1" = 2000 feet

- The above map depicts the 35-C mining claim, which is located in Section (s) 35, Township 3N, Range 18W, Gila and Salt River Base and Meridian, LA PAZ County, Arizona. Total claim acreage is 40.
- The type of corner and location monuments used are as follows: 2x2 WOOD POST
- The bearings and distances in degrees and feet between claim corners and to a public land survey monument are as depicted on the map.
- If the claim is a placer or mill-site claim with exterior limits conforming to legal subdivisions of the public survey, provide a legal description of the claim: NW 1/4 SE 1/4

AN0438857

County Recorder Space:

Millennia, Inc.
518 36TH Street
Newport Beach, CA 92663
(410)262-9260

LOCATION NOTICE PLACER MINING CLAIM

NOTICE IS HEREBY GIVEN that the **35-C 2** placer mining claim has been

Located by Grand Canyon Gold Corp, whose current mailing address is; 16772 W. Bell RD #110-417, Surprise, AZ 85374, and Millennia, Inc. whose current mailing address is: 518 36TH Street, Newport Beach, California 92663

The general course of the claim is east to west and is situated in La Paz County, Arizona.

This claim is 1320' feet in length and 1320' feet in width. This claim runs from the location monument on which this location notice is posted. This claim is marked by four monuments, one at each corner of the claim. The location monument on which this Notice is posted is situated within:

Township 3 North, Range 18 West, Section 35, Quarter Section: NE ¼ SE ¼

La Paz County, Arizona. Gila & Salt River Base and Meridian. This claim is 40 acres in size.

The locality of this claim with reference to some natural object or permanent monument and additional information (if any) concerning its locality is as follows: Section Marker and natural stone with wood post.

Dated and posted on the ground this 15TH day of May, 2016.

Grand Canyon Gold Corp: 
Panos D. Giannetis-CEO

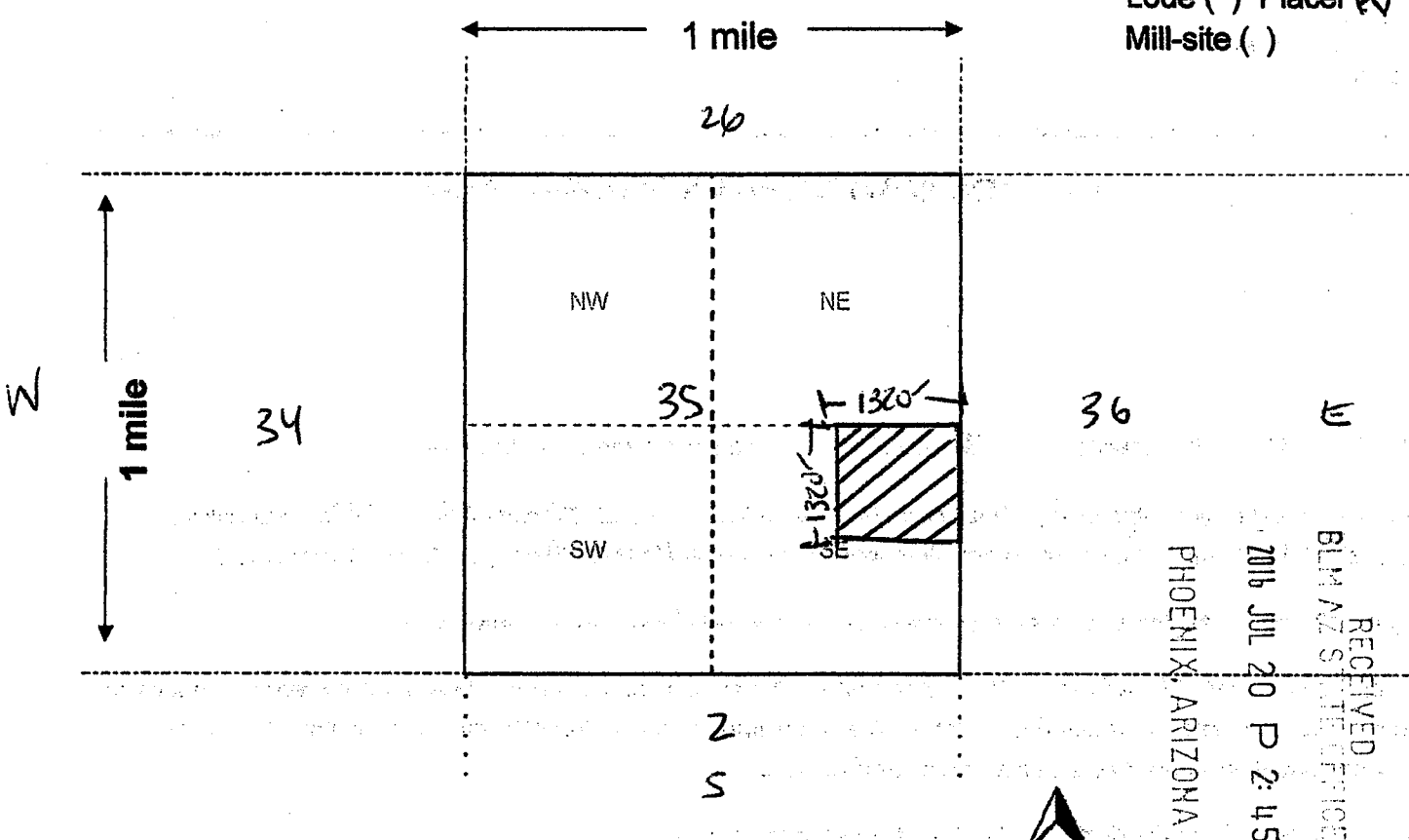
Millennia, Inc.: 
Stephen Martindale-CEO

RECEIVED
BLM AZ STATE OFFICE
2016 JUL 20 P 2:43
PHOENIX, ARIZONA

AMC438858

N
MINING CLAIM MAP

Lode () Placer
Mill-site ()



RECEIVED
BLM AZ STATE OFFICE
2016 JUL 20 P 2:45
PHOENIX, ARIZONA

Scale: 1" = 2000 feet

- The above map depicts the 35-C2 mining claim, which is located in Section (s) 35, Township 3N, Range 18W, Gila and Salt River Base and Meridian, LA PAZ County, Arizona. Total claim acreage is 40.
- The type of corner and location monuments used are as follows: 2x2 WOOD POST
- The bearings and distances in degrees and feet between claim corners and to a public land survey monument are as depicted on the map.
- If the claim is a placer or mill-site claim with exterior limits conforming to legal subdivisions of the public survey, provide a legal description of the claim NE 1/4 SE 1/4

AMC 438858

County Recorder Space:

Millennia, Inc.
518 36TH Street
Newport Beach, CA 92663
(410)262-9260

LOCATION NOTICE PLACER MINING CLAIM

NOTICE IS HEREBY GIVEN that the **35-C3** placer mining claim has been

Located by Grand Canyon Gold Corp, whose current mailing address is; 16772 W. Bell RD #110-417, Surprise, AZ 85374, and Millennia, Inc. whose current mailing address is: 518 36TH Street, Newport Beach, California 92663

The general course of the claim is east to west and is situated in La Paz County, Arizona.

This claim is 1320' feet in length and 1320' feet in width. This claim runs from the location monument on which this location notice is posted. This claim is marked by four monuments, one at each corner of the claim. The location monument on which this Notice is posted is situated within:

Township 3 North, Range 18 West, Section 35, Quarter Section: SE ¼ SE ¼

La Paz County, Arizona. Gila & Salt River Base and Meridian. This claim is 40 acres in size.

The locality of this claim with reference to some natural object or permanent monument and additional information (if any) concerning its locality is as follows: Section Marker and natural stone with wood post.

Dated and posted on the ground this 15TH day of May, 2016.

Grand Canyon Gold Corp: 
Panos D. Gianniotis-CEO

Millennia, Inc.: 
Stephen Martindale-CEO

RECEIVED
BLM AT STATE OFFICE
2016 JUL 20 P 2:43
PHOENIX, ARIZONA

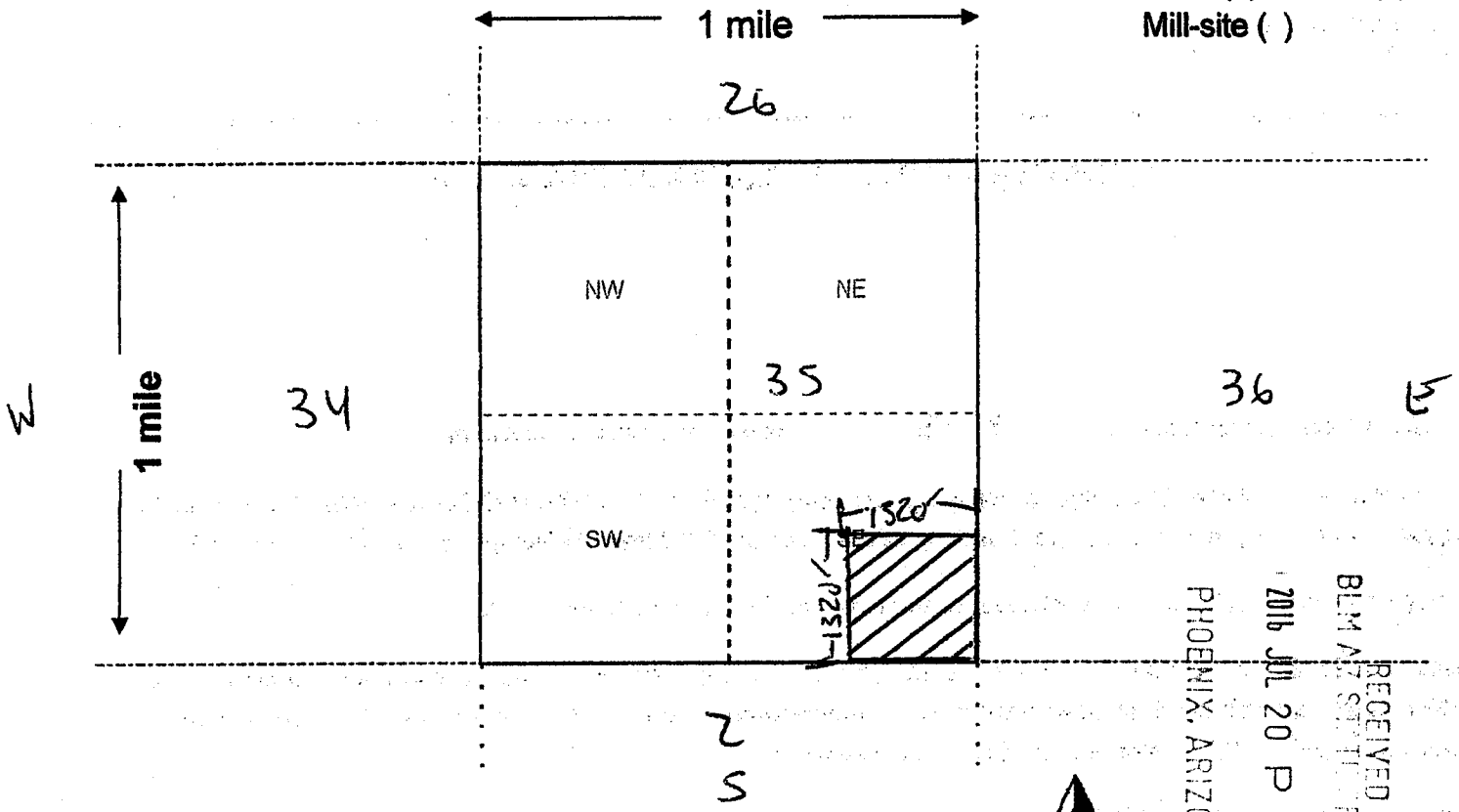
AMC438859

Map on reverse side

N

MINING CLAIM MAP

Lode () Placer (X)
Mill-site ()



Scale: 1" = 2000 feet

RECEIVED
BLM AZ STATE OFFICE
2016 JUL 20 P 2:45
PHOENIX, ARIZONA

AMC 438859

- The above map depicts the 35-C3 mining claim, which is located in Section (s) 35, Township 3N, Range 18W, Gila and Salt River Base and Meridian, LA PAZ County, Arizona. Total claim acreage is 40.
- The type of corner and location monuments used are as follows: 2X2 WOOD POST
- The bearings and distances in degrees and feet between claim corners and to a public land survey monument are as depicted on the map.
- If the claim is a placer or mill-site claim with exterior limits conforming to legal subdivisions of the public survey, provide a legal description of the claim SE 1/4 SE 1/4

County Recorder Space:

Millennia, Inc.
518 36TH Street
Newport Beach, CA 92663
(410)262-9260

LOCATION NOTICE PLACER MINING CLAIM

NOTICE IS HEREBY GIVEN that the **35-C4** placer mining claim has been

Located by Grand Canyon Gold Corp, whose current mailing address is; 16772 W. Bell RD #110-417, Surprise, AZ 85374, and Millennia, Inc. whose current mailing address is: 518 36TH Street, Newport Beach, California 92663

The general course of the claim is east to west and is situated in La Paz County, Arizona.


This claim is 1320' feet in length and 1320' feet in width. This claim runs from the location monument on which this location notice is posted. This claim is marked by four monuments, one at each corner of the claim. The location monument on which this Notice is posted is situated within:

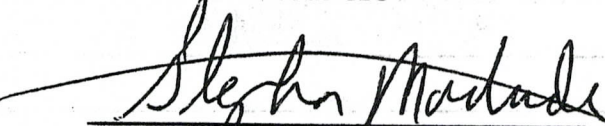
Township 3 North, Range 18 West, Section 35, Quarter Section: SW ¼ SE ¼

La Paz County, Arizona. Gila & Salt River Base and Meridian. This claim is 40 acres in size.

The locality of this claim with reference to some natural object or permanent monument and additional information (if any) concerning its locality is as follows: Section Marker and natural stone with wood post.

Dated and posted on the ground this 15TH day of May, 2016.

Grand Canyon Gold Corp: 
Panos D. Giannetis-CEO

Millennia, Inc.: 
Stephen Martindale-CEO

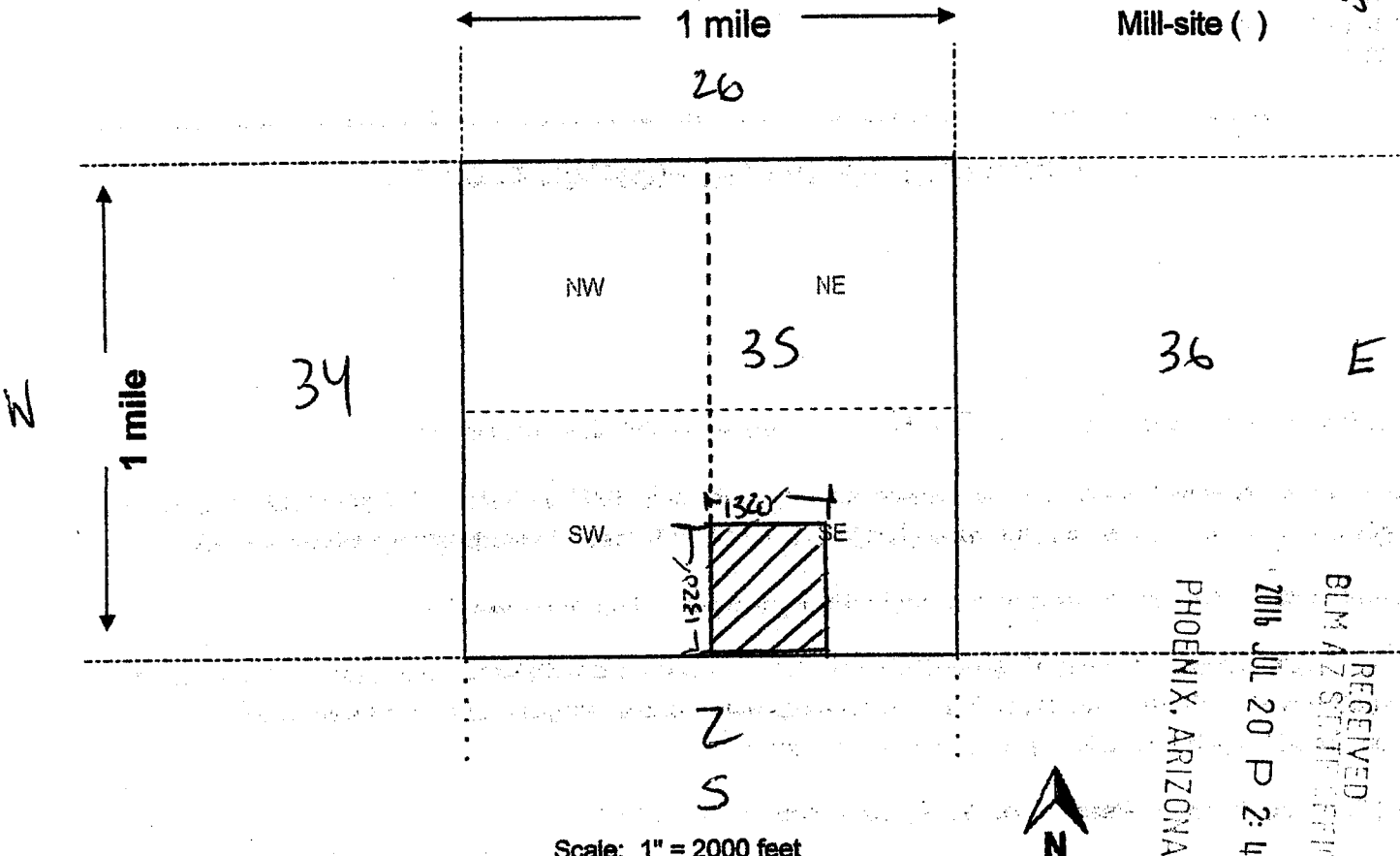
RECEIVED
BLM AZ STATE OFFICE
2016 JUL 20 P 2:43
PHOENIX, ARIZONA

AMC438860

Map on reverse side

MINING CLAIM MAP

Lode () Placer (X)
Mill-site ()



Scale: 1" = 2000 feet

RECEIVED
BLM AZ STATE OFFICE
2016 JUL 20 P 2:45
PHOENIX, ARIZONA

AMC 1138860

1. The above map depicts the 35-C4 mining claim, which is located in Section (s) 35, Township 3N, Range 18W, Gila and Salt River Base and Meridian, LA PAZ County, Arizona. Total claim acreage is 40

2. The type of corner and location monuments used are as follows: 2X2 WOOD POST

3. The bearings and distances in degrees and feet between claim corners and to a public land survey monument are as depicted on the map.

4. If the claim is a placer or mill-site claim with exterior limits conforming to legal subdivisions of the public survey, provide a legal description of the claim ~~SW 1/4 SE 1/4~~ SW 1/4 SE 1/4

County Recorder Space:

Millennia, Inc.
518 36TH Street
Newport Beach, CA 92663
(410)262-9260

LOCATION NOTICE PLACER MINING CLAIM

NOTICE IS HEREBY GIVEN that the **35-D** placer mining claim has been

Located by Grand Canyon Gold Corp, whose current mailing address is; 16772 W. Bell RD #110-417, Surprise, AZ 85374, and Millennia, Inc. whose current mailing address is: 518 36TH Street, Newport Beach, California 92663

The general course of the claim is east to west and is situated in La Paz County, Arizona.

This claim is 1320' feet in length and 1320' feet in width. This claim runs from the location monument on which this location notice is posted. This claim is marked by four monuments, one at each corner of the claim. The location monument on which this Notice is posted is situated within:

Township 3 North, Range 18 West, Section 35, Quarter Section: NW ¼ SW ¼

La Paz County, Arizona. Gila & Salt River Base and Meridian. This claim is 40 acres in size.

The locality of this claim with reference to some natural object or permanent monument and additional information (if any) concerning its locality is as follows: Section Marker and natural stone with wood post.

Dated and posted on the ground this 15TH day of May, 2016.

Grand Canyon Gold Corp: 
Panos D. Gianniotis-CEO

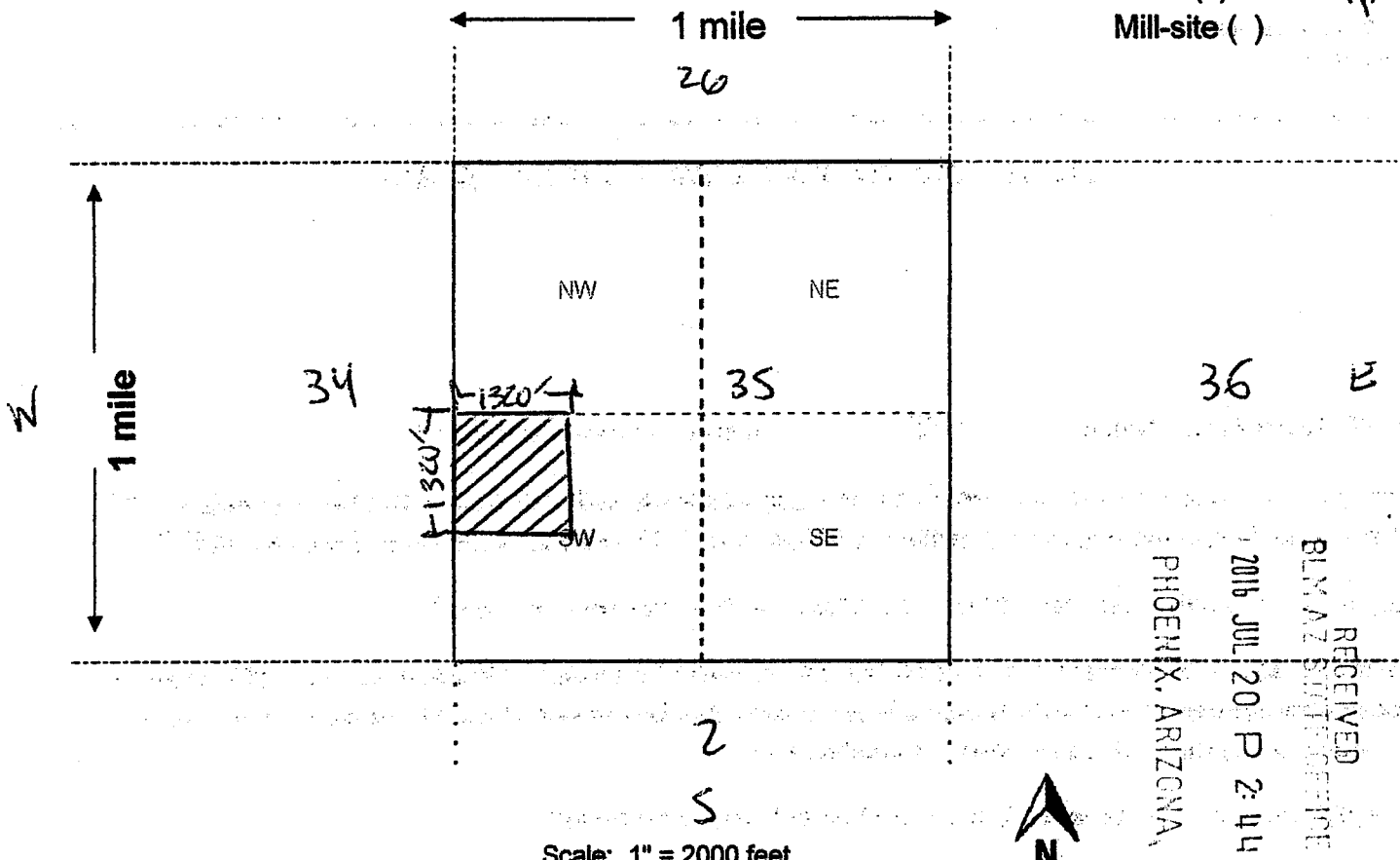
Millennia, Inc.: 
Stephen Martindale-CEO

RECEIVED
BLM AZ STATE OFFICE
2016 JUL 20 P 2:43
PHOENIX, ARIZONA

AMC438861

N
MINING CLAIM MAP

Lode () Placer (X)
Mill-site ()



RECEIVED
 BLM AZ SOUTHWESTERN
 2016 JUL 20 P 2:44
 PHOENIX, ARIZONA

1. The above map depicts the 35-D mining claim, which is located in Section (s) 35, Township 3N, Range 18W, Gila and Salt River Base and Meridian, LA PAZ County, Arizona. Total claim acreage is 40

2. The type of corner and location monuments used are as follows: 2x2 WOOD POST

3. The bearings and distances in degrees and feet between claim corners and to a public land survey monument are as depicted on the map.

4. If the claim is a placer or mill-site claim with exterior limits conforming to legal subdivisions of the public survey, provide a legal description of the claim NW 1/4 SW 1/4

AMCU 38861

County Recorder Space:

Millennia, Inc.
518 36TH Street
Newport Beach, CA 92663
(410)262-9260

LOCATION NOTICE PLACER MINING CLAIM

NOTICE IS HEREBY GIVEN that the **35-D2** placer mining claim has been

Located by Grand Canyon Gold Corp, whose current mailing address is; 16772 W. Bell RD #110-417, Surprise, AZ 85374, and Millennia, Inc. whose current mailing address is: 518 36TH Street, Newport Beach, California 92663

The general course of the claim is east to west and is situated in La Paz County, Arizona.

This claim is 1320' feet in length and 1320' feet in width. This claim runs from the location monument on which this location notice is posted. This claim is marked by four monuments, one at each corner of the claim. The location monument on which this Notice is posted is situated within:


Township 3 North, Range 18 West, Section 35, Quarter Section: NE ¼ SW ¼

La Paz County, Arizona. Gila & Salt River Base and Meridian. This claim is 40 acres in size.

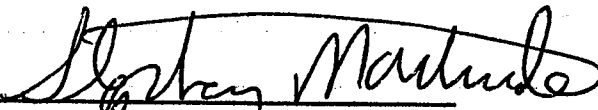
The locality of this claim with reference to some natural object or permanent monument and additional information (if any) concerning its locality is as follows: Section Marker and natural stone with wood post.

Dated and posted on the ground this 15TH day of May, 2016.

Grand Canyon Gold Corp:


Panos D. Gianniotis-CEO

Millennia, Inc.:


Stephen Martindale-CEO

PHOENIX, ARIZONA

2016 JUL 20 P 2:43

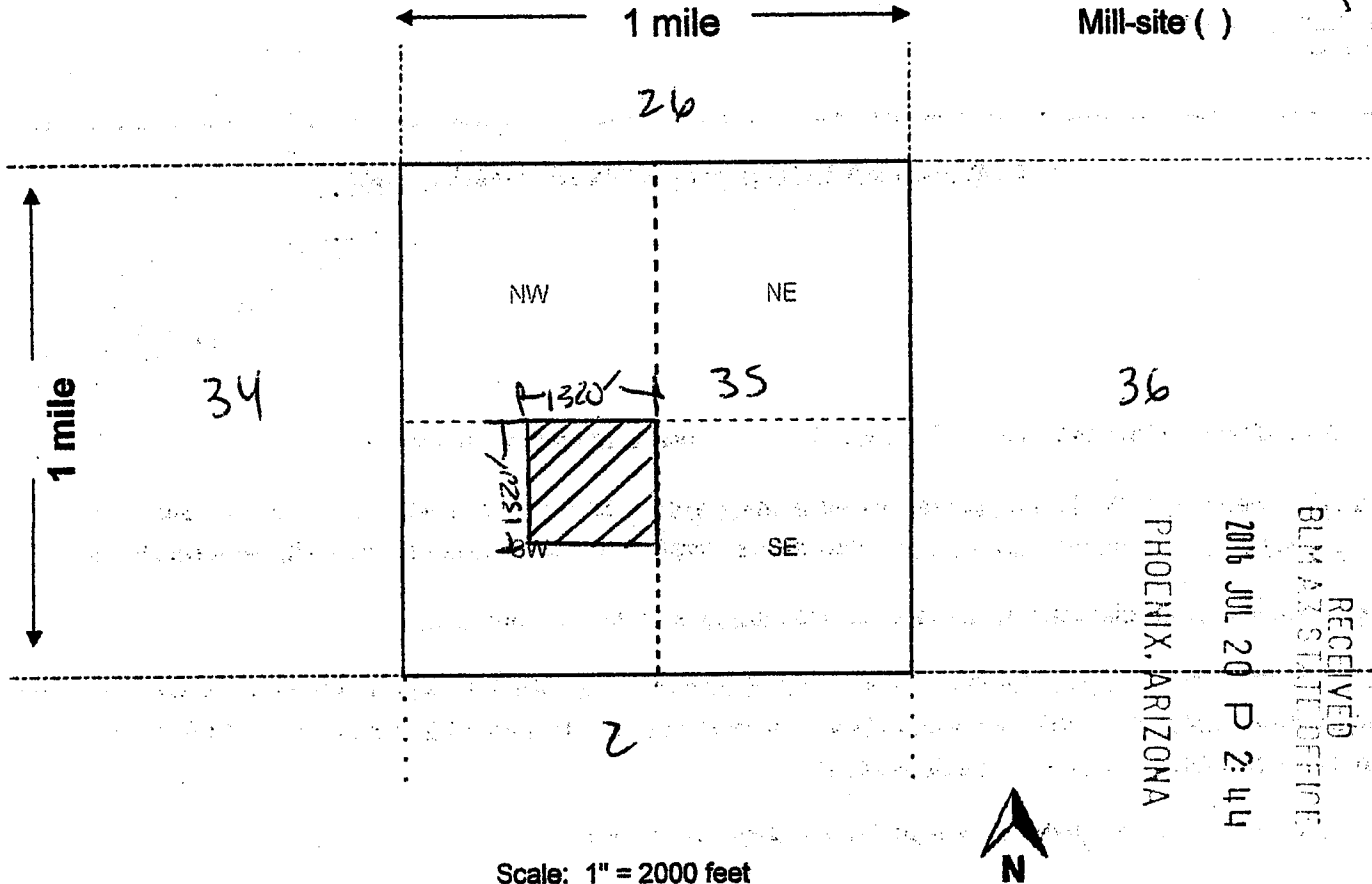
RECEIVED
BLM AT STATE OFFICE

AMC1138862

Map on reverse side

MINING CLAIM MAP

Lode () Placer (X)
 Mill-site ()



RECEIVED
 BLM AZ STATE OFFICE
 2016 JUL 20 P 2:44
 PHOENIX, ARIZONA

ANCL 38862

Scale: 1" = 2000 feet

- The above map depicts the 35-DZ mining claim, which is located in Section (s) 35, Township 3N, Range 18W, Gila and Salt River Base and Meridian, LA PAZ County, Arizona. Total claim acreage is 40.
- The type of corner and location monuments used are as follows: 2X2 WOOD POST
- The bearings and distances in degrees and feet between claim corners and to a public land survey monument are as depicted on the map.
- If the claim is a placer or mill-site claim with exterior limits conforming to legal subdivisions of the public survey, provide a legal description of the claim NE 1/4 SW 1/4

County Recorder Space:

Millennia, Inc.
518 36TH Street
Newport Beach, CA 92663
(410)262-9260

LOCATION NOTICE PLACER MINING CLAIM

NOTICE IS HEREBY GIVEN that the **35-D3** placer mining claim has been

Located by Grand Canyon Gold Corp, whose current mailing address is; 16772 W. Bell RD #110-417, Surprise, AZ 85374, and Millennia, Inc. whose current mailing address is: 518 36TH Street, Newport Beach, California 92663

The general course of the claim is east to west and is situated in La Paz County, Arizona.

This claim is 1320' feet in length and 1320' feet in width. This claim runs from the location monument on which this location notice is posted. This claim is marked by four monuments, one at each corner of the claim. The location monument on which this Notice is posted is situated within:

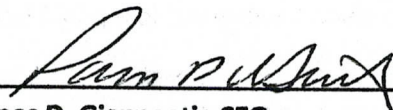
Township 3 North, Range 18 West, Section 35, Quarter Section: SE ¼ SW ¼

La Paz County, Arizona. Gila & Salt River Base and Meridian. This claim is 40 acres in size.

The locality of this claim with reference to some natural object or permanent monument and additional information (if any) concerning its locality is as follows: Section Marker and natural stone with wood post.

Dated and posted on the ground this 15TH day of May, 2016.

Grand Canyon Gold Corp:


Panos D. Gianniotis-CEO

Millennia, Inc.:


Stephen Martindale-CEO

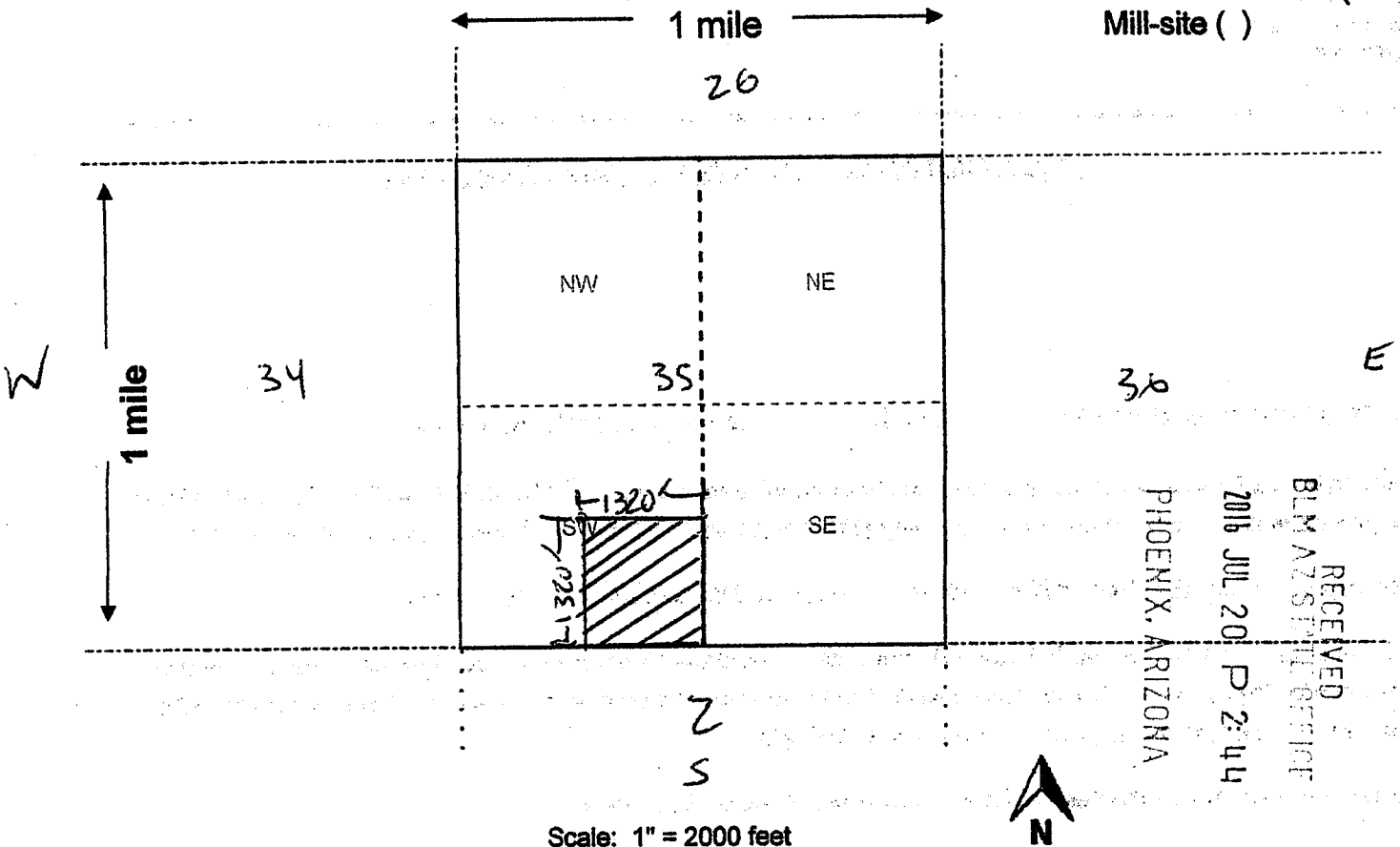
RECEIVED
BLM A STATE OFFICE
2016 JUL 20 P 2:43
PHOENIX, ARIZONA

AMC438863

Map on reverse side

MINING CLAIM MAP

Lode () Placer
 Mill-site ()



Scale: 1" = 2000 feet

1. The above map depicts the 35-D3 mining claim, which is located in Section (s) 35, Township 3N, Range 18W, Gila and Salt River Base and Meridian, LA PAZ County, Arizona. Total claim acreage is 40

2. The type of corner and location monuments used are as follows: 2 x 2 WOOD POST

3. The bearings and distances in degrees and feet between claim corners and to a public land survey monument are as depicted on the map.

4. If the claim is a placer or mill-site claim with exterior limits conforming to legal subdivisions of the public survey, provide a legal description of the claim SE 1/4 SW 1/4

RECEIVED
 BLM AZ STATE OFFICE
 PHOENIX, ARIZONA
 2016 JUL 20 P 2:44

AMC438863

County Recorder Space:

Millennia, Inc.
518 36TH Street
Newport Beach, CA 92663
(410)262-9260

LOCATION NOTICE PLACER MINING CLAIM

NOTICE IS HEREBY GIVEN that the **35-D4** placer mining claim has been

Located by Grand Canyon Gold Corp, whose current mailing address is; 16772 W. Bell RD #110-417, Surprise, AZ 85374, and Millennia, Inc. whose current mailing address is: 518 36TH Street, Newport Beach, California 92663

The general course of the claim is east to west and is situated in La Paz County, Arizona.

This claim is 1320' feet in length and 1320' feet in width. This claim runs from the location monument on which this location notice is posted. This claim is marked by four monuments, one at each corner of the claim. The location monument on which this Notice is posted is situated within:

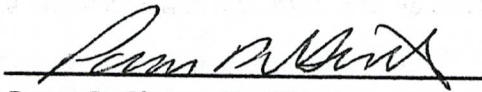
Township 3 North, Range 18 West, Section 35, Quarter Section: SW ¼ SW ¼

La Paz County, Arizona. Gila & Salt River Base and Meridian. This claim is 40 acres in size.

The locality of this claim with reference to some natural object or permanent monument and additional information (if any) concerning its locality is as follows: Section Marker and natural stone with wood post.

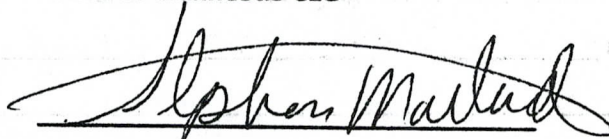
Dated and posted on the ground this 15TH day of May, 2016.

Grand Canyon Gold Corp:



Panos D. Giannetotis-CEO

Millennia, Inc.:



Stephen Martindale-CEO

PHOENIX, ARIZONA

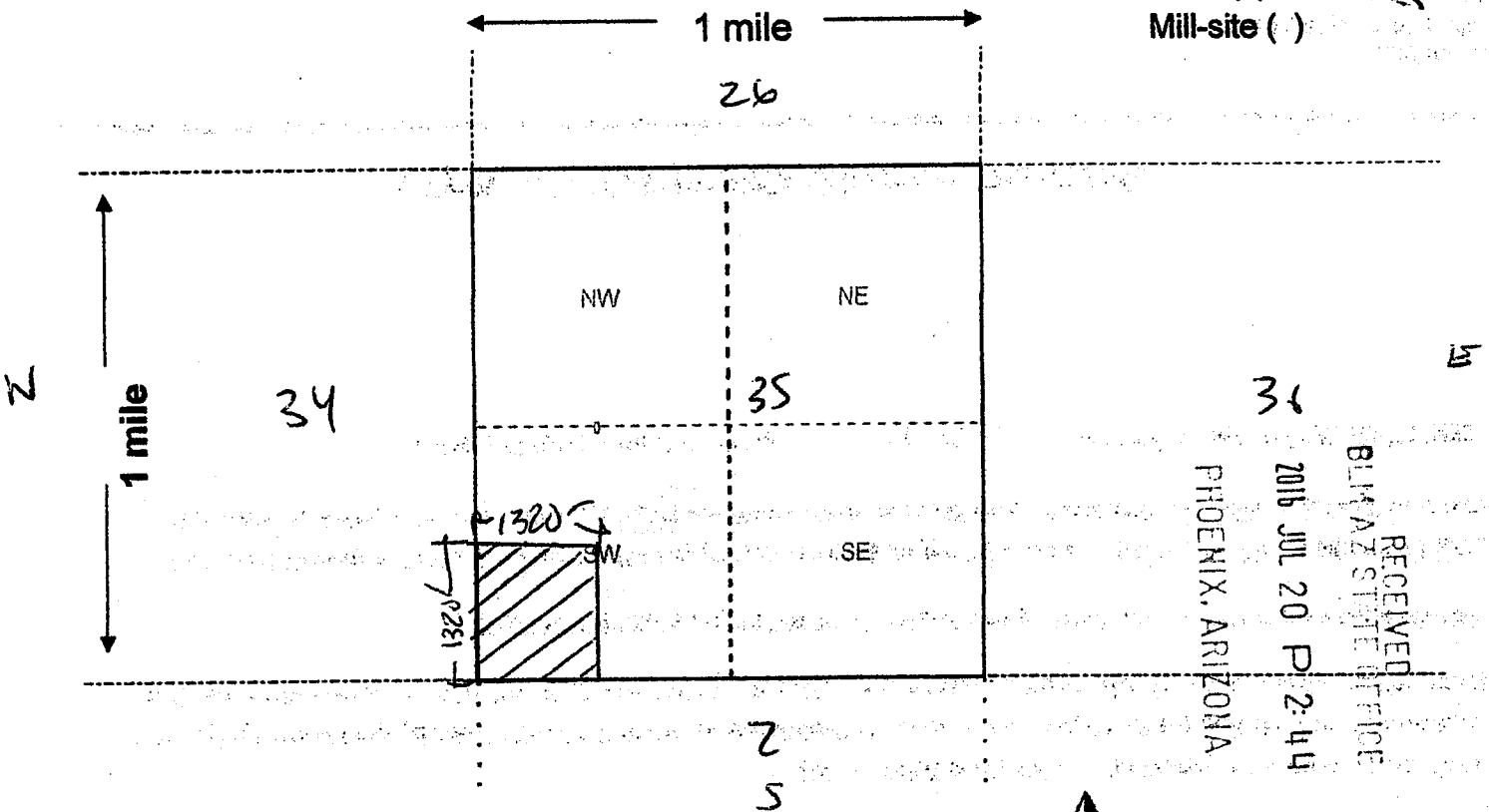
2016 JUL 20 P 2:44

RECEIVED
BLM AZ STATE OFFICE

AMC 438864

MINING CLAIM MAP

Lode () Placer
 Mill-site ()



RECEIVED
 BLANK STATE OFFICE
 PHOENIX, ARIZONA
 2015 JUL 20 P 2:44

Scale: 1" = 2000 feet

- The above map depicts the 35-04 mining claim, which is located in Section (s) 35, Township 34N, Range 26W, Gila and Salt River Base and Meridian, LA PAZ County, Arizona. Total claim acreage is 40.
- The type of corner and location monuments used are as follows: 2x2 WOOD POST
- The bearings and distances in degrees and feet between claim corners and to a public land survey monument are as depicted on the map.
- If the claim is a placer or mill-site claim with exterior limits conforming to legal subdivisions of the public survey, provide a legal description of the claim SW 1/4 SW 1/4

AMC 438864

BLM Letter

Dear BLM,

Enclosed is a check to pay for filing location notices.

if you have any questions, please call the number below,

thank you very much,



**Panos D. Gianneotis
16772 W. Bell Rd #110-417
Surprise, AZ 85374
(310)365-0783**

RECEIVED
BLM AZ STATE OFFICE
2016 JUL 20 P 2:42
PHOENIX, ARIZONA

ANC438849

DEPARTMENT OF INTERIOR
BUREAU OF LAND MANAGEMENT

Input Parameters for Geographic Report with Land

System Id = CR

Admin State = AZ

Geo State =

Casetype Begins With

Case Disp Txt = AUTHORIZED, CANCELLED, EXPIRED, PENDING, REJECTED, RELINQUISHED, WITHDRAWN

Mer Twp Rng =

Section =

Mtrs = 14 0030N 0180W 035, 14 0030N 0180W 999

Commodity =

Commodity Txt =

Pending Org =

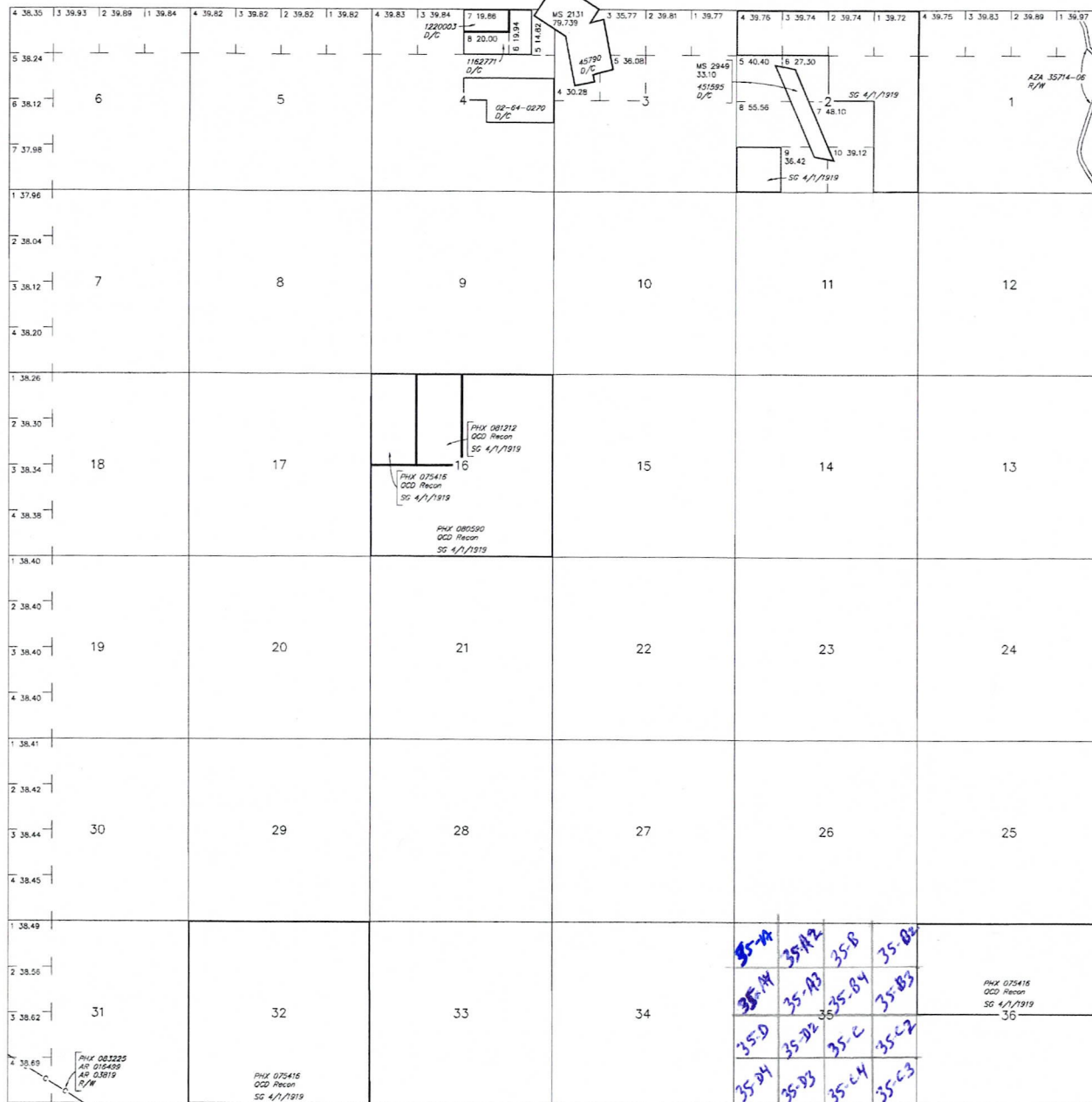
Pend Org Decode =

Total Rows Returned: 0

TOWNSHIP 3 NORTH RANGE 18 WEST OF THE GILA AND SALT RIVER MERIDIAN, ARIZONA

LA PAZ COUNTY
YUMA FIELD OFFICE

STATUS OF PUBLIC DOMAIN
LAND AND MINERAL TITLES

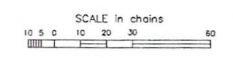


INDEX TO SEGREGATED TRACTS				
RESURVEY TRACT NO	ORIGINAL SURVEY			SUBDIVISION
	T	R	SEC	

FOR ORDERS AFFECTING DISPOSAL OR USE OF UNIDENTIFIED LANDS WITHDRAWN FOR CLASSIFICATION, MINERALS, WATER AND/OR OTHER PUBLIC PURPOSES, REFER TO INDEX OF MISCELLANEOUS DOCUMENTS.

Grazing Dist No 2

MDS 439 NE
440 NW



WARNING STATEMENT
This plot is the Bureau's Record of Title, and should be used only as a graphic display of the township survey data. Records hereon do not reflect title changes which may have been effected by lateral movements of rivers or other bodies of water. Refer to the cadastral surveys for official survey information.

CURRENT TO	NW	GSR Mer
12-3-2014	ACAD	T 3 N
		R 18 W

Lot 33°32'59"N
Long 114°03'48"W

Ame 498849

TOWNSHIP 03 NORTH RANGE 18 WEST OF THE GILA & SALT RIVER MERIDIAN, ARIZONA

SECS	SUBDIVISION																Acres	Kind of Entry or Purpose	Serial Number or Order Number	Action Date	Remarks		
	NE 1/4				NW 1/4				SW 1/4				SE 1/4									Lots	Other Description
	NE	NW	SW	SE	NE	NW	SW	SE	NE	NW	SW	SE	NE	NW	SW	SE							
																		MS 2131;	79.739	PATENT / ME	45790	9/20/1907	MC 291; 4N 18W;
																		ALL SECS 2, 16, 32, 36;		STATE GRANT	ACT OF CONGRESS	6/20/1910	TITLE TO STATE TO FIX ON APPROVAL OF SURVEY; SUBJECT TO PRIOR RIGHTS;
																		MS 2949;	33.10	PATENT / ME	451595	1/5/1915	
36									X	X	X	X	X	X	X	X			320.00	IL BASE	91	7/7/1926	7N 3E;
																		ALL SECS 2, 16, 32, 36;		STATE GRANT	ACT OF CONGRESS	1/25/1927	EXTENDS ACT OF 6/20/1910 TO MINERAL LANDS; SUBJECT TO PRIOR RIGHTS;
2																	PART 7, 8	89.12	IL BASE	97	4/11/1929	28N 2E;	
2																	PART 5	40.29	IL BASE	98	1/8/1930	15S 21E;	
2																	6, 9, 10, PART 7, 8	117.38	IL BASE	153	8/7/1936	20S 12E;	
2																	PART;	14.14	IL BASE	185	11/3/1938	28N 6W;	
16						X	X																
32																		ALL;					
36	X	X	X	X	X	X	X	X												QCD TO US / SX	PHX-075416	4/5/1941	14N 13W;
16						X		X												QCD TO US / SX	PHX-081212	4/18/1947	5N 14W;
31																		M&B; SUBDIV UNDEF;		R/W PIPE LINE	PHX-083225	3/1/1949	PERPETUAL; 2N 11W;
16	X	X	X	X					X	X	X	X	X	X	X	X		1N 19W;		QCD TO US / SX	PHX-080590	7/5/1949	O OPENING TO ENTRY 7/10/1951;
16	X	X	X	X					X	X	X	X	X	X	X	X			480.00	O OPENING TO ENTRY	55176	7/10/1951	37N 5E;
31																		M&B; SUBDIV UNDEF;		R/W PIPE LINE	AR-03619	10/17/1952	PERPETUAL; 2N 16W; PROOF OF CONSTRUCTION 1/19/1954;
4																	6, 8	39.94	PATENT / ME	1162771	8/3/1956		
31																		M&B; SUBDIV UNDEF;		R/W PIPE LINE	AR-016499	7/16/1957	PERPETUAL; 2N 18W;
2																		PART MS 2949;	18.96	IL BASE	266	1/20/1960	1S 19E;
																		PART DEFICIT;	1.04	IL BASE	276	1/5/1961	13S 2E;
4																	7	19.86	PATENT / ME	1220003	5/25/1961		
4																		S2S2NE, N2NESE, NENWSE;	70.00	PATENT / ME	02-64-0270	6/16/1964	
2																	PART 5	0.11	IL BASE	329	7/23/1965	6S 5W;	
3																		ALL;					
4																		ALL;					
5																		ALL;					

For orders affecting disposal or use of unidentified lands withdrawn for classification, minerals, water, and/or other public purposes, and Indian treaties, refer to Index to Miscellaneous Documents

TOWNSHIP 03 NORTH RANGE 18 WEST OF THE GILA & SALT RIVER MERIDIAN, ARIZONA

SECS	SUBDIVISION																Acres	Kind of Entry or Purpose	Serial Number or Order Number	Action Date	Remarks		
	NE 1/4				NW 1/4				SW 1/4				SE 1/4									Lots	Other Description
	NE	NW	SW	SE	NE	NW	SW	SE	NE	NW	SW	SE	NE	NW	SW	SE							
	For orders affecting disposal or use of unidentified lands withdrawn for classification, minerals, water, and/or other public purposes, and Indian treaties, refer to Index to Miscellaneous Documents																						
6																		ALL;					
7																		ALL;					
8																		ALL;					
9																		ALL;					
10																		ALL;					
17																		ALL;					
18																		ALL;					
19																		ALL;					
20																		ALL;					
29																		ALL;					
30																		ALL;					
31																		ALL;					
32																		ALL; 1N 13W;	O PROPOSED CL FOR MULTIPLE USE MANAGEMENT	A-1099	7/21/1967	SEGREGATES THE PUBLIC LANDS FROM APPROPRIATION UNDER AGRICULTURAL LAND LAWS, PS, SX; PUB IN FR 7/27/1967; O CL 10/17/1967; PUB IN FR 10/23/1967; CL TERM 10/7/1981;	
1																		ALL;					
2																		ALL;					
11																		ALL;					
12																		ALL;					
13																		ALL;					
14																		ALL;					
15																		ALL;					
16																		ALL;					
17																		ALL;					
18																		ALL;					
19																		ALL;					
20																		ALL;					
21																		ALL;					
22																		ALL;					
23																		ALL;					

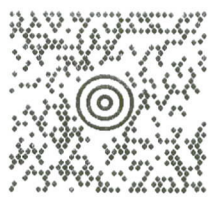
TOWNSHIP 03 NORTH RANGE 18 WEST OF THE GILA & SALT RIVER MERIDIAN, ARIZONA

SECs	SUBDIVISION																Acres	Kind of Entry or Purpose	Serial Number or Order Number	Action Date	Remarks		
	NE 1/4				NW 1/4				SW 1/4				SE 1/4									Lots	Other Description
	NE	NW	SW	SE	NE	NW	SW	SE	NE	NW	SW	SE	NE	NW	SW	SE							
For orders affecting disposal or use of unidentified lands withdrawn for classification, minerals, water, and/or other public purposes, and Indian treaties, refer to Index to Miscellaneous Documents																							
24																		ALL;					
25																		ALL;					
26																		ALL;					
27																		ALL;					
28																		ALL;					
33																		ALL;					
34																		ALL;					
35																		ALL;					
36																		ALL; 1N 10W;	O PROPOSED CL FOR MULTIPLE USE MANAGEMENT	A-1101	7/21/1967	SEGREGATES THE PUBLIC LANDS FROM APPROPRIATION UNDER AGRICULTURAL LAND LAWS, PS, SX; PUB IN FR 7/27/1967; O CL 10/17/1967; PUB IN FR 10/23/1967; CL TERM 10/7/1981;	
ENTIRE TOWNSHIP																		1N 15W;	APLN / WDL KOFA NATIONAL WILDLIFE RANGE	A-7950	2/21/1974	WITHDRAWN FROM ALL FORMS OF APPROPRIATION INCLUDING THE MINING LAWS AND MINERAL LEASING LAWS; PUB IN FR 12/22/1977; APLN WDN AND CASE CLOSED 4/15/1991;	
3																	4						
4																		NESENE;	R/W ROAD	A-16203	1/4/1982	TO TERM 1/3/2012;	
4									X	X	X	X					3		R/W WATER WELL AND PIPE LINE	A-18910	11/7/1983	TO TERM 11/6/2003;	
1			X										X			X							
12	X																						
23	X	X	X	X	X	X	X	X															
24	X	X	X	X	X	X	X	X					X	X	X	X		3N 17W;	R/W ROAD	AZA-35714-06	9/23/2011	TO TERM 12/31/2030;	

PANOS GIANNIOTIS
(623) 556-1238
THE UPS STORE #4950
STE 110
16772 W BELL RD
SURPRISE AZ 85374-3064

1 LBS 1 OF 1
SHP WT: 1 LBS
DATE: 19 JUL 2016

SHIP ARIZONA STATE OFFICE
TO: (602) 417-9200
BUREAU OF LAND MANAGEMENT
STE 800
1 N CENTRAL AVE
PHOENIX AZ 85004-4427

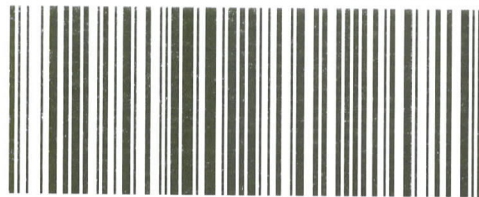


AZ 850 9-10



UPS GROUND

TRACKING #: 1Z 4F8 523 03 4632 0043



BILLING: P/P

RECEIVED
BLM AZ STATE OFFICE
19 JUL 20 10 24 AM
PHOENIX, ARIZONA

ISH 13.00N E2844 78.5V 07/2016



SEE NOTICE ON REVERSE regarding UPS Terms, and notice of limitation of liability. Where allowed by law, shipper authorizes UPS to act as forwarding agent for export control and customs purposes. If exported from the US, shipper certifies that the commodities, technology or software were exported from the US in accordance with the Export Administration Regulations. Diversion contrary to law is prohibited. BRD R 1014